



DEPURADOR DE BAJA TENSION

**AR-121 / AR-121E
AR-124 / AR-124E**

- ▶ **LOW VOLTAGE FILTER UNIT**
- ▶ **DEPURADOR DE BAJA TENSION**
- ▶ **EPURATEUR BASSE TENSION**
- ▶ **WASSERDRUCKREINIGER**
- ▶ **FILTRAZIONE A BASSA TENSIONE**
- ▶ **LAGE DRUK ZUIVERINGSFILTER**
- ▶ **DEPURADOR DE BAIXA TENSÃO**



**INSTALLATION AND MAINTENANCE MANUAL
MANUAL DE INSTALACIÓN Y MANTENIMIENTO
MANUEL D'INSTALLATION ET D'ENTRETIEN
EINBAU-UND BETRIEBSANLEITUNG
MANUALE DI INSTALAZIONE E MANUTENZIONE
INSTALLATIE-EN ONDERHOUDSHANDLEIDINGE
INSTRUÇÕES E MANUNTENÇÃO**

IMPORTANT: The instruction manual you are holding includes essential information on the safety measures to be implemented for installation and start-up. Therefore, the installer as well as the user must read the instructions before beginning installation and start-up.
Keep this manual for future reference.

To achieve optimum performance of the Skim-filter, follow the instructions provided below:

SAFETY INSTRUCTIONS. READ CAREFULLY

- The following standard should be followed in the whole electrical installation:
NF C15-100

that refers to “the construction of electrical installations both in indoor and outdoor swimming pools”, or similar regulations in force in each area or country.

- “The entire filtering system follows the installation standard C 15-100 that stipulates that all electrical apparatus located at less than 3.5 m. from the swimming pool and freely accessible should have a very low voltage of 12 V. All 220 V apparatus should be positioned at least 3.5 m. from the edge of the swimming pool. Apply to the manufacturer for permission to modify one or more elements of the filtering system”.
- Electrical installations should only be performed by professional installers qualified in electrical installations.
- The apparatus should not be on while the swimming pool is being used.
- Do not operate the apparatus without water.
- People should NEVER touch the apparatus when it is on if they are wet or with wet hands.
- DISCONNECT the apparatus from the mains before handling.
- Ensure that the ground is dry before touching the electrical equipment.
- Never place the apparatus where it could become wet, as this could cause electrocution.
- Do not allow children or adults to lean against or sit on the apparatus.
- Never use the apparatus for more than 4 consecutive hours.
- If the flexible power supply cable of the apparatus is damaged, it should be replaced. Read instructions how to replace it carefully. If in doubt, consult your technical service.

1. VERIFY THE CONTENTS OF THE PACKING:

The following accessories are included inside the box. (Fig.1): AR-121, AR-121E, AR-124, AR-124E

1. Skim-filter body unit
- 2a. Sheet pool support unit or tubular
- 2b. Self-supporting pool support unit
- 3a. Sheet pool Clamp support unit or tubular
- 3b. Self-supporting Clamp support unit
4. Motor-transformer unit
5. Suction cover.
6. Distance spacer (model AR-121)

2. GENERAL CHARACTERISTICS:

This Skim-filter has been designed for use in fresh water pools. It is a Class I electric apparatus which complies with the IPX8 degree of protection (resistance to penetration of dust, solid bodies and humidity).

CONNECTION OF APPARATUS

Connect the transformer to a 230V 50 Hz source of alternating current which is equipped with a single-pole switch, so that the apparatus does not receive any voltage when it is not in use, and a 30 mA differential for discharge protection.

The manufacturer is not responsible in any circumstances for assembly, installation or start-up of any electric components which have been inserted or handled at locations other than its own premises.

3. INSTALLATION:

This equipment is easy to install and can be assembled by AN ADULT in around ½ HOUR, taking care to correctly follow the instructions detailed in this manual at all times.

Place the Skim-filter facing the dominant winds, so that these help to carry the dirt which remains on the surface of the pool towards the filter. The transformer should be located at least 3.5 m from the edge of the pool. (Fig. 2).

INSTALLATION OF SUPPORT FOR SHEET SWIMMING POOL OR TUBULAR

Insert the support arm in the housing for the support clamp of the Skim-filter (Fig. 3).

Insert the feed cable in the housings on the inside of the support arm of the Skim-filter. Ensure that it is firmly secured.

Place the Skim-filter unit and the plastic support unit on the edge of the swimming pool (Fig. 4).

Place the two nuts in the housings of the support sealing clamp.

Insert the two screws from inside the swimming pool and tighten them firmly.

Balance the apparatus so that it is level on the vertical plane.

Attention: the distance of the locking pin can be increased with the two distance spacers that are supplied in a bag (No 6) with two screws. These screws are longer than those already bolted, in order to bolt the locking pin to the distance spacers.

INSTALLATION OF SUPPORT FOR SELF-SUPPORTING SWIMMING POOL

Insert the rod for self-supporting swimming pools in the housing of the support clamp for the Skim-filter (Fig.3)

Secure the rod with both rod securing units.

Place the Skim-filter unit and the support rod on the edge of the swimming pool.

Balance the apparatus so that it is level on the vertical plane.

4. ASSEMBLY:

LEVELLING AND SECURING THE SKIM-FILTER

For proper operation of the apparatus, it must be correctly levelled.

Turn the handle of the snap-off closure until it reaches the position “open” (Fig. 9). Let the Skim-filter slide down through the flange until the float (No. 3) remains hanging in the water (about half way down) (Fig. 6).

Once it has reached that position, fix the Skim-filter by turning the handle of the snap-off closure towards the “close” position (Fig. 9)

SELF-SUPPORTING SWIMMING POOL

Move the two fixing nuts of the Skim-filter support until they reach the closure flange. Then screw them in strongly. Lean the Skim-filter slightly and fix the cable in the rear part of the Clamp support.

FILTRATION

The Skim-filter is designed to suck in and hold the impurities floating in the pool water. After an initial filtration treatment (until the pool water is clean), the full volume of the pool should be recirculated once daily.

The component which cleans the water is the filtering cartridge (AR-86) located inside the Skim-filter. This is formed by a cloth with a very fine stitch which holds the dirtiness.

Depending on the dirtiness, hours of filtration and pool volume, the filtering cartridge (AR-86) may require cleaning with more or less regularity. When you notice that the amount of water returned to inside of the pool decreases, then the filtering cartridge should be cleaned.

Filtering requirements depend on the volume in m³ of water of the swimming pool in relation to the m³/hour of the apparatus flow, depending on the model AR-121 or AR-124.

Turn the motor off for at least 2 hours between operation intervals.

$$\frac{\text{Volume of swimming pool in m}^3}{\text{Flow of filter in m}^3/\text{hour}} = \text{hours required}$$

The aforementioned off time should be followed in the initial filtering treatment. It is recommended to increase the filtering time as the water temperature of the pool increases.

NEVER PLACE CHEMICAL PRODUCTS IN THE BASKET OR THROUGH THE SPONGES OR CARTRIDGE, AS THIS WILL DAMAGE THE MATERIALS OF THE APPARATUS AND REDUCE ITS EFFECTIVENESS.

DO NOT USE FLOCCULANT!

5. MAINTENANCE:

CLEANING THE FILTERING CARTRIDGE

Disconnect the power outlet apparatus and remove it from the swimming pool.

Pull the float (No. 3) hard and remove it from the tube and extract the cartridge from inside. Place the cartridge under low pressure running water (not a jet) from a hose until the filter is clean (Fig. 5).

Before replacing the cartridge (AR-86) use the hose to clean out the inside of the Skim-filter (Fig. 7) and make sure the cartridge is replaced correctly centered and pushed down until the cartridge is firmly in place (Fig. 8). Once everything has been reassembled correctly replace the Skim-filter back into the pool

After several washing cycles, it may be necessary to change the filtering cartridge. To do this, call the swimming pool manufacturer on the number indicated in the instructions.

6. CLEANING THE BOTTOM OF THE SWIMMING POOL

The equipment with the AR-2062 pool floor cleaner accessory can be used to clean the bottom of the swimming pool.

Consult your dealer or the After-sales Service of the pool manufacturer.

Always use original spare parts.

Efficiency is reduced if a longer hose than necessary is used to reach all points of the swimming pool. Cut any excess hose.

CONNECTING THE FLOOR CLEANER TO THE EQUIPMENT:

Remove the float of the skimfilter, place the suction cover accessory (no. 4) on the upper part of the skimfilter with the intake facing upwards and submerge the skimmer inside the pool so that the suction cover does not intake air.

Prime the hose as follows: With the pole and the hose connected, place the floor cleaner slowly inside the pool vertically letting it fill with water and keeping the rest of the hose out of the water. Gradually place the hose in the water until it completely fills with water. The floor cleaner will not suction unless the hose is fully primed, which could damage the equipment if it operates with no air.

Connect it to the suction cover intake, taking care that air does not enter. The hose and the cover connection should always be submerged to avoid air from entering.

Start-up the equipment and clean the swimming pool floor.

7. ELECTRICAL COMPONENTS

To guarantee electrical safety, the equipment is provided with an electrical unit that is protected against the inlet of water. If a cable or any of the components are damaged, the whole electrical unit should be changed.

None of the components of this electrical unit should be handled, as it would affect the safety of the equipment.

REPLACING THE ELECTRICAL UNIT

If a cable or a component of the electrical unit is damaged, proceed as follows:

- Disconnect the apparatus from the mains.
- Dismantle the apparatus from the swimming pool and remove.
- **Disconnect the motor from the body unit at the bottom of the apparatus and remove.**

Skim-filter AR121-AR121E

When replacing the electric unit, please note that there is a screw beside the motor, as indicated in Fig. A. This screw should never be tightened any further. It is a safety screw to prevent children from removing the motor.

To remove the motor, turn the skim-filter so that it is easier to work. First completely loosen the screw (Fig. B) and then remove the motor making a quarter turn towards the right, taking care to lift the flap (Fig. C) to correctly remove the motor. To place the motor back in the skim-filter, the motor should first be inserted turning to the left and then tightening the screw back to its original position.

Place the new motor and fasten it to the body unit.

Skim-filter AR124-AR124E

Unscrew the 3 screws that hold the motor and remove the electric/motor unit.

Place the new electric/motor unit by tightening the 3 screws to the body of the skimmer and place the bottom cover by tightening the 3 corresponding screws

- Reassemble the equipment in the pool following the instructions given in the INSTALLATION section of this manual.

8. WINTER – MAINTENANCE WHEN OUT OF USE

To ensure that the equipment is well preserved, it should be stored during winter or during long periods when it is not used. To do this, dismantle it from the pool, clean the filter and dry all the components with a soft cloth or absorbent paper so that it is not scratched. It is recommended to store the equipment in its original packaging and in a dry place. It is advisable to use this opportunity to visually check the state of the cable and other electrical components and replace if necessary. To do this, follow the instructions indicated in the section ELECTRICAL COMPONENTS.

After the winter, install the equipment as if it were new.

PROBLEMS	SOLUTIONS
The Skim-filter drives little water.	The cartridge is dirty. Clean it.
The Skim-filter does not filter, but it does add water to the pool.	Verify that the cartridge cover is properly installed.
The Skim-filter does not move the water.	Verify the connection, and that there is voltage supply to the outlet.
The Skim-filter returns dirty water to the swimming pool.	Verify that the cartridge is in good condition and properly installed.

If you cannot solve the problem, contact the pool manufacturer on the telephone number given in the instructions.

9. ENVIRONMENTAL INFORMATION Processing of electrical and electronic equipment after their period of use (Only applicable in the E.U.)



In order to reduce the amount of waste of electric and electronic apparatus, to reduce the danger of components, to encourage the reuse of apparatus, to assess waste and to set up a suitable waste treatment system, with the aim of improving the efficiency of environmental protection, a set of rules has been established applicable to the manufacture of the product and other rules regarding the correct environmental treatment when these products become waste.

It is also intended to improve the environmental practices of all agents involved in electrical and electronic goods, including manufacturers, distributors, users and particularly those directly involved in the treatment of waste derived from these apparatus.

From 13th August 2005, there are two ways of disposing of this apparatus:

- if you purchase a new equivalent apparatus or which has the same functions as the one you wish to dispose of, you can hand it over, free of charge, to the distributor when making your purchase, or
- you can take it to local collection points.

We shall cover waste treatment costs.

The apparatus are labelled with a symbol of a "crossed-out waste container". This symbol means that the apparatus is subject to selected waste collection, different from general waste collection.

Our products are designed and manufactured with top-quality, environmental-friendly materials and components, which can be reused and recycled. In spite of this, several parts of this product are not biodegradable and therefore it should not be left in the environment. For the correct recycling of this product, please completely detach the electrical motor from the rest of the filtration equipment.

GUARANTEE CERTIFICATE

1. GENERAL TERMS

- 1.1. In accordance with these provisions, the seller guarantees that the **GRE** product corresponding to this guarantee ("the Product") is in perfect condition at the time of delivery.
- 1.2. The Guarantee Term for the Product is two (2) years from the time it is delivered to the purchaser.
- 1.3. In the event of any defect in the Product that is notified by the purchaser to the seller during the Guarantee Term, the seller will be obliged to repair or replace the Product, at his own cost and wherever he deems suitable, unless this is impossible or unreasonable.
- 1.4. If it is not possible to repair or replace the Product, the purchaser may ask for a proportional reduction in the price or, if the defect is sufficiently significant, the termination of the sales contract.
- 1.5. The replaced or repaired parts under this guarantee, will not extend the guarantee period of the original Product, but will have a separate guarantee.
- 1.6. In order for this guarantee to come into effect, the purchaser must provide proof of the date of purchase and delivery of the Product.
- 1.7. If, after six months from the delivery of the Product to the purchaser, he notifies a defect in the Product, the purchaser must provide proof of the origin and existence of the alleged defect.
- 1.8. This Guarantee Certificate is issued without prejudice to the rights corresponding to consumers under national regulations.

2. INDIVIDUAL TERMS

- 2.1. This guarantee covers the products referred to in this manual.
- 2.2. This Guarantee Certificate will only be applicable in European Union countries.
- 2.3. For this guarantee to be effective, the purchaser must strictly follow the Manufacturer's instructions included in the documentation provided with the Product, in cases where it is applicable according to the range and model of the Product.
- 2.4. When a time schedule is specified for the replacement, maintenance or cleaning of certain parts or components of the Product, the guarantee will only be valid if this time schedule has been followed.

3. LIMITATIONS

- 3.1. This guarantee will only be applicable to sales made to consumers, understanding by "consumer", a person who purchases the Product for purposes not related to his professional activities.
- 3.2. The normal wear resulting from using the product is not guaranteed. With respect to expendable or consumable parts, components and/or materials, such as batteries, light bulbs, etc. the stipulations in the documentation provided with the Product, will apply.
- 3.3. The guarantee does not cover those cases when the Product; (I) has been handled incorrectly; (II) has been repaired, serviced or handled by non-authorised people or (III) has been repaired or serviced not using original parts.
- 3.4. In cases where the defect of the Product is a result of incorrect installation or start-up, this guarantee will only apply when said installation or start-up is included in the sales contract of the Product and has been conducted by the seller or under his responsibility.

Fig.



Fig. A



Fig. B



Fig. C

IMPORTANTE: El manual de instrucciones que usted tiene en sus manos, contiene información fundamental acerca de las medidas de seguridad a adoptar a la hora de la instalación y la puesta en servicio. Por ello, es imprescindible que tanto el instalador como el usuario lean las instrucciones antes de pasar al montaje y la puesta en marcha. Conserve este manual para futuras consultas acerca del funcionamiento de este aparato.

Para conseguir un óptimo rendimiento del Skim-filter es conveniente observar las instrucciones que se indican a continuación:

INDICACIONES DE SEGURIDAD, LEALAS ATENTAMENTE

- En todo lo referente a la instalación eléctrica debe seguirse la normativa:
NF C15-100

que hace referencia “a la construcción de instalaciones eléctricas, tanto en piscinas cubiertas como en piscinas al aire libre”, o la normativa análoga vigente en cada zona o país.

- “Todas las filtraciones siguen la norma de instalación C 15-100 que especifica que todo aparato eléctrico ubicado a menos de 3,5 m de la piscina y accesible libremente debe estar alimentado con muy baja tensión 12 V. Todo aparato alimentado en 220 V debe estar ubicado por lo menos a 3,5 m del borde de la piscina. Pedir permiso del fabricante para toda modificación de uno o varios elementos del sistema de filtración”
- La instalación eléctrica debe ser hecha por personal profesional cualificado en instalaciones eléctricas.
- No tenga el aparato en marcha mientras utiliza la piscina.
- No haga funcionar el aparato sin agua.
- No toque NUNCA el aparato en marcha con el cuerpo húmedo o las manos húmedas.
- Siempre que deba manipular el aparato, DESCONÉCTELO de la toma de corriente.
- Asegúrese de que el suelo está seco antes de tocar el equipo eléctrico.
- No coloque el aparato donde pueda mojarse, puede causar electrocución.
- No permita ni a niños ni a adultos apoyarse o sentarse sobre el aparato.
- No utilice el aparato durante más de 4 horas seguidas.
- Si el cable flexible de alimentación de este aparato está dañado, debe ser sustituido. Lea detenidamente las instrucciones para su sustitución. Ante la duda consulte con un servicio técnico.

1. COMPRUEBE EL CONTENIDO DEL EMBALAJE:

En el interior de la caja encontrará los siguientes accesorios. (Fig.1): AR-121, AR-121E, AR-124, AR-124E

1. Conjunto cuerpo del Skim-filter.
- 2a. Conjunto soporte piscina chapa o tubular.
- 2b. Conjunto soporte piscina autoportante.
- 3a. Conjunto brida soporte piscina chapa o tubular.
- 3b. Conjunto brida soporte piscina autoportante.
4. Conjunto motor y transformador.
5. Tapa aspiración.
6. Bolsa de accesorios (modelo AR-121)

2. CARACTERÍSTICAS GENERALES:

Este Skim-filter ha sido diseñado para ser utilizado en piscinas de agua dulce. Se trata de un aparato eléctrico de clase I, que cumple con el grado de protección IPX8 (resistencia a la penetración de polvo, a los cuerpos sólidos y a la humedad).

CONEXION DEL APARATO

Conectar el transformador a una fuente de corriente alterna de 230V 50 Hz, que disponga de un interruptor omnipolar. para dejar sin tensión al aparato cuando éste no deba ser utilizado, y un diferencial de 30 mA para protección de descarga.

El fabricante en ningún caso se responsabiliza del montaje, instalación o puesta en funcionamiento de cualquier manipulación o incorporación de componentes eléctricos que no se hayan llevado a cabo en sus instalaciones.

3. INSTALACIÓN:

Por su facilidad de instalación este equipo puede ser montado por UNA PERSONA ADULTA y en un periodo de tiempo de alrededor de ½ HORA, con la precaución en todo momento de hacer un correcto seguimiento de las instrucciones detalladas en este manual.

Colocar el Skim-filter a favor de los vientos dominantes, para que estos ayuden a llevar la suciedad que quede en la superficie de la piscina hacia el filtro (Fig. 2).

El transformador debe situarse como mínimo, a 3,5 m del borde de la piscina (por seguridad eléctrica) según norma NF C15-100 o analoga vigente en cada zona o país (Fig. 2).

COLOCACIÓN DEL SOPORTE PARA PISCINA DE CHAPA O TUBULAR

Insertar el brazo soporte en el alojamiento de la brida soporte del Skim-filter (Fig. 3).

Passar el cable de alimentación por los alojamientos que hay en el interior del brazo soporte del Skim-filter, asegurándose que quede bien sujeto.

Situar el conjunto del Skim-filter y el conjunto soporte de plástico en el borde de la piscina (Fig. 4).

Colocar las dos tuercas en los alojamientos de la pinza cierre soporte.

Passar los dos tornillos desde el interior de la piscina y atornillarlos fuertemente.

Equilibrar el aparato para que quede situado verticalmente.

Atención: se puede aumentar la distancia de la pinza de cierre con los dos distanciadores que se suministran dentro de una bolsa (nº 6) con dos tornillos, estos tornillos son mas largos que los que se suministran ya montados, para poder

atornillar la pinza de cierre con los distanciadores.

COLOCACIÓN DEL SOPORTE PARA PISCINA AUTOPORTANTE

Insertar la varilla para piscinas autoportantes en el alojamiento de la brida soporte del Skim-filter (Fig. 3).

Asegurar la varilla con los dos conjuntos de fijación.

Situarse el conjunto Skim-filter y la varilla soporte en el borde de la piscina (Fig. 4).

Equilibrar el aparato para que quede situado verticalmente.

4. MONTAJE:

NIVELACION Y FIJACION DEL SKIM-FILTER

Para el buen funcionamiento del aparato, es imprescindible una correcta nivelación del mismo. Para ello, gire la palanca del cierre hasta la posición de abierto (Fig. 9), y deslice el Skim-filter hasta que el flotador (nº 3) quede suspendido en el agua y aproximadamente en la mitad de su recorrido (Fig. 6).

Una vez posicionado, fíjelo girando la palanca del cierre hasta la posición de cerrado (Fig. 9).

PISCINA AUTOPORTANTE

Desplace los dos conjuntos de fijación de la varilla hasta la brida y apriételes fuertemente.

Incline ligeramente el Skim-filter y fije el cable en la parte posterior de la brida.

FILTRACION:

El Skim-filter está diseñado para aspirar y retener las impurezas que se encuentran suspendidas en el agua de la piscina. Después de un tratamiento inicial de filtrado (hasta que el agua de la piscina esté limpia), se deberá volver a recircular una vez al día todo el volumen de la piscina.

El elemento que realiza la limpieza del agua es el cartucho filtrante (AR-86) que hay en el interior del Skim-filter. Este está compuesto por una tela con un paso muy fino que retiene la suciedad.

Dependiendo de la suciedad, horas de filtración y volumen de la piscina, el cartucho filtrante (AR-86), necesita ser limpiado con más o menos asiduidad. Cuando se observa que la cantidad de agua devuelta al interior de la piscina disminuye, se procederá a la limpieza del cartucho filtrante.

Sus necesidades de filtración vienen dadas por el volumen en m³ de agua de su piscina en relación con los m³/h de caudal del aparato según modelo AR-121 o AR-124.

Deje al menos 2h de reposo al motor entre intervalos de funcionamiento.

$$\frac{\text{Volumen piscina en m}^3}{\text{Caudal filtro en m}^3/\text{h}} = \text{horas necesarias}$$

En el tratamiento inicial de filtración debe respetar los periodos de reposo indicados. Se recomienda aumentar el tiempo de filtración cuanto mayor sea la temperatura del agua de su piscina.

EN NINGÚN CASO EL PRODUCTO QUÍMICO DEBE PONERSE EN EL CESTO O A TRAVÉS DE LAS ESPONJAS O DEL CARTUCHO, ELLO DETERIORARÍA LOS MATERIALES DEL APARATO Y LIMITARÍA SU EFICACIA

¡NO UTILIZAR FLOCULANTE!

5. MANTENIMIENTO:

LIMPIEZA DEL CARTUCHO FILTRANTE

Desconecte el aparato de la toma de corriente y sáquelo de la piscina.

Tire fuertemente del flotador (nº 3), para extraerlo del conjunto cuerpo-base y desenrosque el cartucho filtrante (AR-86) de su interior. Coloque el cartucho bajo un chorro de agua de manguera de jardín a baja presión, hasta que observe que el filtro está limpio (Fig. 5).

Antes de volver a introducir el cartucho filtrante (AR-86) en el conjunto cuerpo-base, limpie con la manguera el interior de su alojamiento (Fig. 7). Una vez limpio rosque el cartucho filtrante hasta que haga tope (Fig. 8). Una vez montado, puede introducirlo de nuevo en la piscina.

Tras varios ciclos de lavado puede ser necesario el cambio del cartucho filtrante, para ello contacte con el fabricante de la piscina en el teléfono y horario indicados en las instrucciones de la piscina.

6. LIMPIEZA DEL FONDO DE LA PISCINA

Para la limpieza del fondo de la piscina, puede aprovechar el equipo, con el accesorio limpiafondos AR-2062.

Consulte en su establecimiento o con el Servicio Postventa del fabricante de la piscina para su adquisición.

Utilice siempre recambios originales.

Una longitud de manguera mayor a la necesaria para llegar a todos los puntos de la piscina reduce la efectividad. Recorte el tramo de manguera que le sobre.

CONEXIÓN DEL LIMPIAFONDOS AL EQUIPO:

Quitar el flotador del skimfilter, poner en la parte superior del skimfilter el accesorio tapa aspiración (nº 4) con la toma hacia arriba y hundir el skimmer en el interior de la piscina lo suficiente para que la tapa aspiración no tome aire.

A continuación ceba la manguera de la siguiente manera: Introducir despacio en el interior de la piscina el limpiafondos con la pértiga y la manguera conectada, verticalmente, dejando que se llene de agua, manteniendo el resto de la manguera fuera del agua. Vaya introduciendo la manguera en el agua despacio por tramos a la vez que se llena completamente de

agua, hasta el final, donde toda la manguera deberá quedar llena de agua. Si la manguera no está totalmente cebada, el limpiafondos no aspirará y podremos dañar el equipo haciéndolo trabajar en vacío.

Cuidando que no entre aire en ella, conectarla a la toma de la tapa aspiración. La unión de la manguera y la tapa debe quedar siempre sumergida para evitar la entrada de aire.

Poner en marcha el equipo y proceder a la limpieza del fondo de la piscina.

7. COMPONENTES ELÉCTRICOS

Para garantizar la seguridad eléctrica, el equipo está dotado de un conjunto eléctrico protegido contra la entrada de agua, en caso de deterioro del cable o uno de sus componentes se deberá cambiar todo el conjunto eléctrico.

En ningún caso deben manipularse alguno de los componentes de dicho conjunto eléctrico, ya que ello anularía la seguridad del equipo.

SUSTITUCIÓN DEL CONJUNTO ELÉCTRICO

En caso de deterioro del cable o uno de los componentes del conjunto eléctrico proceder como sigue:

- Desconectar el aparato de la toma de corriente.
- Desmontar el aparato de la piscina y retirarlo.
- **En la parte inferior del aparato, desconectar el motor del conjunto cuerpo y retirarlo.**

Skim-filter AR121-AR121E

En la sustitución del conjunto eléctrico se debe tener en cuenta que al lado del motor hay un tornillo, como se indica en la Fig. A, este tornillo no se debe atornillar nunca más de lo que está. La función de este tornillo es de seguridad, para que un niño no pueda extraer el motor.

Para extraer el motor, giramos el skim-filter para poder trabajar mejor, primero se debe desatornillar completamente el tornillo (Fig. B) y seguidamente sacar el motor realizando un cuarto de vuelta hacia la derecha teniendo en cuenta que se debe levantar la pestaña (Fig. C) para extraer correctamente el motor.

Para reponer el motor en el skim-filter se insertará primero el motor realizando el giro a la izquierda y luego atornillar el tornillo hasta la misma profundidad que estaba anteriormente.

Situar el nuevo motor y sujetarlo al conjunto cuerpo.

Skim-filter AR124-AR124E

Desatornillar los 3 tornillos que aguantan el motor y retirar el conjunto eléctrico/motor.

Situar el nuevo conjunto eléctrico/motor atornillando los 3 tornillos al cuerpo del skimmer y poner la tapa inferior atornillando con los 3 tornillos correspondientes.

- Volver a montar el equipo en la piscina siguiendo las instrucciones del apartado INSTALACIÓN de este manual.

8. PERIODO DE INVIERNO - MANTENIMIENTO FUERA DE USO

Para garantizar una buena conservación del equipo se deberá guardar durante el periodo de invierno, o cuando que no lo usemos durante periodos largos de tiempo, para ello deberá desmontarlo de la piscina y proceder a la limpieza del filtro y al secado de todos sus componentes con un paño suave o papel absorbente para no rallarlo, es aconsejable volverlo a guardar en su embalaje original, y en un lugar seco. Es aconsejable aprovechar esta ocasión para verificar visualmente el estado del cable y los demás componentes eléctricos para proceder a su sustitución si fuese necesario, para ello proceder como se describe en el apartado COMPONENTES ELÉCTRICOS.

Tras un periodo de invernaje procederemos a la instalación del equipo como si fuese nuevo.

PROBLEMAS	SOLUCIONES
El Skim-filter impulsa poca agua.	El cartucho está sucio. Límpiolo.
El Skim-filter no filtra, pero si introduce agua en la piscina.	Compruebe que el cartucho tiene puesta correctamente la tapa.
El Skim-filter no mueve agua.	Compruebe la conexión y que llegue corriente a la toma.
El Skim-filter devuelve agua sucia a la piscina.	Compruebe el buen estado del cartucho y su correcta colocación.

De no poder solucionar su problema contacte con el fabricante de la piscina en el teléfono y horario indicado en sus instrucciones.

9. INFORMACIÓN MEDIOAMBIENTAL Tratamiento de equipos eléctricos y electrónicos después de su vida útil (Solo aplicable en le U.E.)



Con objeto de reducir la cantidad de residuos de aparatos eléctricos y electrónicos, la peligrosidad de los componentes, fomentar la reutilización de los aparatos, la valorización de sus residuos y determinar una gestión adecuada tratando de mejorar la eficacia de la protección ambiental, se establecen una serie de normas aplicables a la fabricación del producto y otras relativas a la correcta gestión ambiental cuando se conviertan en residuo.

Así mismo, se pretende mejorar el comportamiento ambiental de todos los agentes que intervienen en el ciclo de vida de los aparatos eléctricos y electrónicos, como son los productores, los distribuidores, los usuarios y en particular, el de aquellos agentes directamente implicados en la gestión de los residuos derivados de estos aparatos.

A partir del 13 Agosto de 2005 cuando usted quiera desechar este aparato, tiene dos posibles sistemas de devolución:

- si adquiere uno nuevo que sea de tipo equivalente o realice las mismas funciones que el que desecha, podrá entregarlo, sin coste, en el acto de la compra al distribuidor
- o podrá llevarlo al sitio que destinen las diferentes entidades locales.

Nosotros nos haremos cargo de los costes de gestión.

Los aparatos van etiquetados con el símbolo de un “contenedor de basura con ruedas tachado”, este símbolo es indicativo de la necesaria recogida selectiva y diferenciada del resto de las basuras urbanas.

Nuestros productos están diseñados y fabricados con materiales y componentes de alta calidad, respetuosos con el medio ambiente, que pueden ser reutilizables y reciclados. Aun así, las diferentes partes que componen este producto no son biodegradables, por lo que no se deben abandonar en el medio ambiente. Se debe de reciclar por separado, para ello separar el motor eléctrico del resto del equipo de filtración.

CERTIFICADO DE GARANTÍA

1 ASPECTOS GENERALES

- 1.1 De acuerdo con estas disposiciones, el vendedor garantiza que el producto **GRE** correspondiente a esta garantía (“el Producto”) no presenta ninguna falta de conformidad en el momento de su entrega.
- 1.2 El Periodo de Garantía para el Producto es de dos (2) años y se calculará desde el momento de su entrega al comprador.
- 1.3 Si se produjera una falta de conformidad del Producto y el comprador lo notificase al vendedor durante el Periodo de Garantía, el vendedor deberá reparar o sustituir el Producto a su propio coste en el lugar donde considere oportuno, salvo que ello sea imposible o desproporcionado.
- 1.4 Cuando no se pueda reparar o sustituir el Producto, el comprador podrá solicitar una reducción proporcional del precio o, si la falta de conformidad es suficientemente importante, la resolución del contrato de venta.
- 1.5 Las partes sustituidas o reparadas en virtud de esta garantía no ampliarán el plazo de la garantía del Producto original, si bien dispondrán de su propia garantía.
- 1.6 Para la efectividad de la presente garantía, el comprador deberá acreditar la fecha de adquisición y entrega del Producto.
- 1.7 Cuando hayan transcurrido más de seis meses desde la entrega del Producto al comprador y éste alegue falta de conformidad de aquél, el comprador deberá acreditar el origen y la existencia del defecto alegado.
- 1.8 El presente Certificado de Garantía no limita o prejuzga los derechos que correspondan a los consumidores en virtud de normas nacionales de carácter imperativo.

2 CONDICIONES PARTICULARES

- 2.1 La presente garantía cubre los productos a que hace referencia este manual.
- 2.2 El presente Certificado de Garantía será de aplicación únicamente en los países de la Unión Europea.
- 2.3 Para la eficacia de esta garantía, el comprador deberá seguir estrictamente las indicaciones del Fabricante incluidas en la documentación que acompaña al Producto, cuando ésta resulte aplicable según la gama y modelo del Producto.
- 2.4 Cuando se especifique un calendario para la sustitución, mantenimiento o limpieza de ciertas piezas o componentes del Producto, la garantía sólo será válida cuando se haya seguido dicho calendario correctamente.

3 LIMITACIONES

- 3.1 La presente garantía únicamente será de aplicación en aquellas ventas realizadas a consumidores, entendiéndose por “consumidor”, aquella persona que adquiere el Producto con fines que no entran en el ámbito de su actividad profesional.
- 3.2 No se otorga ninguna garantía respecto del normal desgaste por uso del producto. En relación con las piezas, componentes y/o materiales fungibles o consumibles como pilas, bombillas etc., se estará a lo dispuesto en la documentación que acompaña al Producto, en su caso.
- 3.3 La garantía no cubre aquellos casos en que el Producto: (I) haya sido objeto de un trato incorrecto; (II) haya sido reparado, mantenido o manipulado por persona no autorizada o (III) haya sido reparado o mantenido con piezas no originales.
- 3.4 Cuando la falta de conformidad del Producto sea consecuencia de una incorrecta instalación o puesta en marcha, la presente garantía sólo responderá cuando dicha instalación o puesta en marcha esté incluida en el contrato de compra-venta del Producto y haya sido realizada por el vendedor o bajo su responsabilidad.

Fig.



Fig. A



Fig. B



Fig. C

IMPORTANT: le manuel d'instructions que vous avez entre les mains contient des informations de première importance sur les mesures de sécurité à adopter au moment de l'installation et de la mise en service. Il est par conséquent indispensable que l'installateur et l'utilisateur lisent attentivement les instructions avant de commencer le montage et la mise en marche. Conservez ce manuel en vue de futures consultations sur le fonctionnement de cet appareil.

Pour optimiser le rendement du Skim-filter, il est recommandé de bien suivre les instructions qui vous sont données ci-dessous :

INDICATIONS DE SÉCURITÉ, LISEZ-LES TRÈS ATTENTIVEMENT

- Pour tout ce qui a trait à l'installation électrique, veuillez suivre la norme :
NF C15-100

qui fait référence "à la construction d'installations électriques, aussi bien dans les piscines couvertes que dans les piscines en plein air", ou les normes analogues en vigueur dans chaque région ou pays.

- "Toutes les filtrations suivent la norme d'installation C 15-100 qui spécifie que tout appareil électrique placé à moins de 3,5 m de la piscine et librement accessible doit être alimenté à très basse tension 12 V. Tout appareil alimenté à 220 V doit être placé au moins à 3,5 m du bord de la piscine. Veuillez demander l'autorisation du fabricant pour toute modification d'un ou plusieurs éléments du système de filtration".
- L'installation électrique doit être faite par des professionnels qualifiés en installations électriques.
- Veuillez à ce que l'appareil ne soit pas en marche pendant que vous utilisez la piscine.
- Ne faites pas fonctionner l'appareil sans eau.
- Ne touchez JAMAIS l'appareil en marche si vous avez le corps ou les mains humides.
- Chaque fois que vous devez manipuler l'appareil, DÉBRANCHEZ-LE de la prise de courant.
- Vérifiez que le sol est bien sec avant de toucher l'équipement électrique.
- Ne placez pas l'appareil dans un endroit où il pourrait être mouillé, cela pourrait causer une électrocution.
- Interdisez aux enfants et aux adultes de s'appuyer ou de s'asseoir sur l'appareil.
- N'utilisez pas l'appareil plus de 4 heures de suite.
- Il faut remplacer le câble flexible d'alimentation de cet appareil, s'il est abîmé. Lisez attentivement les instructions pour le remplacer. Si vous avez un doute quelconque, veuillez consulter un service technique.

1. VÉRIFIER LE CONTENU DE L'EMBALLAGE :

Vous trouverez à l'intérieur de la boîte les accessoires suivants. (Fig.1) : AR-121, AR-121E, AR-124, AR-124E

1. Ensemble corps du Skim-filter
- 2a. Ensemble support piscine métallique ou tubulaire
- 2b. Ensemble support piscine autoportante
- 3a. Ensemble bride support piscine métallique ou tubulaire
- 3b. Ensemble bride support piscine autoportante
4. Ensemble moteur et transformateur
5. Couverture aspiration
6. Manchon (modelo AR-121)

2. CARACTÉRISTIQUES GÉNÉRALES :

Ce Skim-filter a été conçu pour être utilisé dans des piscines d'eau douce. Il s'agit d'un appareil électrique de classe I, conforme aux exigences du degré de protection IPX8 (résistance à la pénétration de la poussière, aux corps solides et à l'humidité).

BRANCHEMENT DE L'APPAREIL

Brancher le transformateur sur une source de courant alternatif de 230V 50 Hz, disposant d'un interrupteur omnipolaire de façon à laisser l'appareil hors tension lorsqu'il ne doit pas être utilisé, et d'un différentiel de 30 mA pour la protection contre les décharges d'électricité.

Le fabricant n'est aucunement responsable du montage, de l'installation ou de la mise en marche suite à toute manipulation ou rajout de composants électriques qui ne se seraient pas produits chez lui.

3. INSTALLATION :

Étant très facile à monter, cet appareil peut être monté par UNE SEULE PERSONNE ADULTE et dans une période de temps d'environ une DEMI-HEURE, en faisant attention à tout moment de suivre correctement les instructions détaillées dans ce manuel.

Placer le Skim-filter dans le sens des vents dominants, de façon à ce que ceux-ci aident à amener les impuretés restant au fond de la piscine vers le filtre.

Le transformateur doit être situé au moins à 3,5 m du bord de la piscine. (Fig. 2).

MISE EN PLACE DU SUPPORT POUR PISCINE MÉTALLIQUE OU TUBULAIRE

Introduire le bras de support dans le logement de la bride support du Skim-filter (Fig. 3).

Faire passer le câble d'alimentation par les logements se trouvant à l'intérieur du bras de support du Skim-filter, tout en s'assurant qu'il y reste bien fixé.

Mettre en place l'ensemble du Skim-filter et l'ensemble du support de plastique sur le rebord de la piscine (Fig. 4).

Placer les deux écrous dans les logements correspondants se trouvant dans la pince de fermeture du support.

Faire passer les deux vis depuis l'intérieur de la piscine et bien les serrer.

Équilibrer l'appareil pour qu'il reste bien en position verticale.

Attention: vous pouvez augmenter la distance de la pince de fermeture avec les deux manchons qui vous sont fournis dans un sachet(n° 6) avec deux vis; ces vis sont plus longues que celles qui vous sont livrées déjà montées, pour pouvoir visser la pince de fermeture sur les manchons.

MISE EN PLACE DU SUPPORT POUR PISCINE AUTOPORTANTE

Introduire la tige pour piscines autoportantes dans le logement de la bride support et du Skim-filter (Fig. 3).

Fixer la tige avec les deux ensembles de fixation de celle-ci.

Mettre en place l'ensemble du Skim-filter et la tige support sur le rebord de la piscine (Fig. 4).

Équilibrer l'appareil pour qu'il reste bien en position verticale.

4. MONTAGE :

MISE À NIVEAU ET FIXATION DU SKIM-FILTER

Pour que l'appareil fonctionne bien, il est indispensable que le sol ait été correctement nivellé.

A cette fin, tournez la manette de l'ensemble collet-bride jusqu'à la position d'ouverture (Fig. 9) et glissez le Skim-filter jusqu'à ce que le flotteur (n° 5) reste en suspension dans l'eau et approximativement à la moitié de son parcours (Fig. 6).

Une fois positionné, fixez-le en tournant la manette de l'ensemble collet-bride jusqu'à la position de fermeture (Fig. 9)

PISCINE AUTOPORTANTE

Déplacez les deux ensembles de fixation de la barre (n° 8) jusqu'à la bride et les serrez fortement.

Inclinez légèrement les Skim-filter et fixez le câble dans la partie postérieure du la bride.

FILTRAGE

Le Skim-filter est conçu pour aspirer et retenir les impuretés restées en suspension dans l'eau de la piscine. Après un traitement initial de filtrage (jusqu'à ce que l'eau de la piscine soit propre), il faudra faire recirculer une fois par jour toute l'eau de la piscine.

L'élément chargé de nettoyer l'eau est la cartouche filtrante (n° AR-86) se trouvant à l'intérieur du Skim-filter. Elle est faite d'une toile à mailles très fines retenant la saleté.

Cette cartouche filtrante doit être nettoyée plus ou moins fréquemment, en fonction du degré de saleté de l'eau, des heures de filtrage effectuées et du volume d'eau à filtrer. Lorsque l'on observe que la quantité d'eau revenant à l'intérieur de la piscine a diminué, le moment est venu de nettoyer la cartouche filtrante elle-même.

Vos nécessités de filtration sont données par le volume en m³ d'eau de votre piscine en rapport avec les m³/h de débit de l'appareil selon le modèle AR-121 ou le modèle AR-124.

Laissez au moins 2 heures de repos au moteur entre intervalles de fonctionnement.

$$\frac{\text{Volume piscine en m}^3}{\text{Débit filtre en m}^3/\text{h}} = \text{heures nécessaires}$$

Pour le traitement initial de filtration, il faut respecter les périodes de repos indiquées. Il est recommandé d'augmenter le temps de filtration au fur et à mesure qu'augmente la température de l'eau de votre piscine.

NE METTEZ EN AUCUN CAS LE PRODUIT CHIMIQUE DANS LE PANIER OU À TRAVERS LES ÉPONGES OU LA CARTOUCHE, CELA ABÎMERAIT LES MATÉRIEAUX DE L'APPAREIL ET EN LIMITERAIT L'EFFICACITÉ.

N'UTILISEZ PAS DE FLOCCULANT !

5. MAINTENANCE

NETTOYAGE DE LA CARTOUCHE FILTRANTE

Débrancher l'appareil de la prise de courant et le retirer de la piscine.

Tirez fortement sur le flotteur (n° 3) afin de l'extraire du tube et dévissez la cartouche de son intérieur. A l'aide d'un jet d'eau de faible pression nettoyez la cartouche de toutes ses impuretés (Fig. 5)

Avant de replacer la cartouche (AR-86) nettoyez l'intérieur du corps de filtre (Fig. 7). Quand le cartouche soit propre, filetez-le jusqu'à son arrêt (Fig. 8). L'opération de nettoyage terminée, réintroduisez le Skim-filter dans la piscine.

Après plusieurs cycles de lavage, il est possible qu'il soit nécessaire de remplacer la cartouche filtrante ; pour ce, mettez-vous en rapport avec le fabricant de la piscine au téléphone figurant dans les instructions de la piscine, en respectant l'horaire qui y est indiqué.

6. NETTOYAGE DU FOND DE LA PISCINE

Pour nettoyer le fond de la piscine, vous pouvez utiliser l'appareil, avec l'accessoire nettoyeur de fond AR-2062.

Pour l'acheter, renseignez-vous dans votre établissement habituel ou auprès du Service après-vente du fabricant de la piscine.

Utilisez toujours des pièces de rechange d'origine.

Une longueur de tuyau plus grande que celle qui est nécessaire pour arriver à tous les points de la piscine en réduit l'effectivité. Coupez le morceau de tuyau qui est en trop.

CONNEXION DU NETTOYEUR DE FOND À L'APPAREIL :

Enlever le flotteur du skimfilter, mettre sur la partie supérieure du skimfilter l'accessoire couvercle aspiration (n° 4) la prise vers le haut et plonger le skimmer à l'intérieur de la piscine suffisamment pour que le couvercle aspiration ne prenne pas d'air.

Amorcer ensuite le tuyau de la façon suivante : Introduire doucement à l'intérieur de la piscine le nettoyeur de fond avec la perche et le tuyau connecté, verticalement, en le laissant se remplir d'eau, tout en maintenant le reste du tuyau hors de

l'eau. Puis introduisez peu à peu le tuyau dans l'eau par morceaux pendant qu'il se remplit complètement d'eau, jusqu'à la fin, où tout le tuyau devra être rempli d'eau. Si le tuyau n'est pas totalement amorcé, le nettoyeur de fond n'aspirera pas, ce qui pourrait abîmer l'équipement en le faisant travailler à vide.

En veillant à ce qu'il n'y entre pas d'air, le connecter à la prise du couvercle aspiration. L'assemblage du tuyau et du couvercle doit toujours être submergé pour éviter l'entrée d'air.

Mettre l'appareil en marche et procéder au nettoyage du fond de la piscine.

7. COMPOSANTS ÉLECTRIQUES

Pour garantir la sécurité électrique, l'appareil est doté d'un ensemble électrique protégé contre l'entrée d'eau; en cas de détérioration du câble ou d'un de ses composants, il faudra remplacer tout l'ensemble électrique.

Ne manipuler en aucun cas aucun des composants de cet ensemble électrique, car cela annulerait la sécurité de l'appareil.

REMPLACEMENT DE L'ENSEMBLE ÉLECTRIQUE

En cas de détérioration du câble ou d'un des composants de l'ensemble électrique, procéder comme suit :

- Débrancher l'appareil de la prise de courant.
- Démontez l'appareil de la piscine et le retirer.
- **Sur la partie inférieure de l'appareil, déconnecter le moteur de l'ensemble corps et le retirer.**

Skim-filter AR121-AR121E

Quand vous remplacez l'ensemble électrique, faites attention à la vis qui est à côté du moteur, comme il est indiqué sur la Fig. A, il ne faut jamais serrer cette vis plus qu'elle ne l'est. La fonction de cette vis est de sécurité, pour qu'un enfant ne puisse pas extraire le moteur.

Pour extraire le moteur, tournez le skim-filter pour pouvoir travailler plus facilement ; il faut d'abord dévisser complètement la vis (Fig. B) et enlever ensuite le moteur en réalisant un quart de tour vers la droite, en veillant à bien lever la languette (Fig. C) pour extraire correctement le moteur.

Pour remettre le moteur dans le skim-filter, introduisez d'abord le moteur en réalisant la rotation à gauche et vissez ensuite la vis à la même profondeur que celle où elle était vissée précédemment.

Placer le nouveau moteur et le fixer à l'ensemble corps.

Skim-filter AR124-AR124E

Dévisser les 3 vis qui fixent le moteur et retirer le groupe électrique/moteur.

Mettre en place le nouveau groupe électrique/moteur en vissant les 3 vis au corps du skimmer et remettre le couvercle inférieur en vissant les 3 vis correspondantes.

- Monter de nouveau l'appareil dans la piscine en suivant les instructions du paragraphe INSTALLATION de ce manuel.

8. PÉRIODE D'HIVER – MAINTENANCE EN PÉRIODE DE NON UTILISATION

Pour garantir une bonne conservation de l'appareil, il faudra le mettre à l'abri pendant la période d'hiver, ou lorsque nous ne l'utiliserons pas pendant une longue période de temps ; pour cela, il faudra le démonter de la piscine et procéder au nettoyage du filtre et au séchage de tous ses composants à l'aide d'un chiffon doux ou de papier absorbant pour ne pas le rayer. Il est recommandé de le ranger dans son emballage d'origine, et dans un endroit sec. Il est conseillé de profiter de cette occasion pour vérifier visuellement l'état du câble et des autres composants électriques afin de les remplacer, si besoin est ; pour ce, procéder comme il est décrit dans le paragraphe COMPOSANTS ÉLECTRIQUES.

Après une période d'hivernage, nous procéderons à l'installation de l'appareil comme s'il était neuf.

PROBLÈMES	SOLUTIONS
Le Skim-filter laisse passer trop peu d'eau.	La cartouche est sale. La nettoyer.
Le Skim-filter ne filtre pas, mais il amène de l'eau à l'intérieur de la piscine.	Vérifier que le couvercle est correctement placé sur la cartouche.
Le Skim-filter ne fait pas bouger l'eau.	Vérifier le branchement. Vérifier que le courant arrive jusqu'à la prise.
L'eau ramenée à la piscine par le Skim-filter est sale.	Vérifier que la cartouche est en bon état et qu'elle est placée correctement.

Si vous ne pouvez pas solutionner votre problème, veuillez prendre contact avec le fabricant de la piscine au numéro de téléphone indiqué dans les instructions.

9. INFORMATION ENVIRONNEMENTALE Traitement des appareils électriques et électroniques usagés (Applicable uniquement dans (U.E.)



Afin de réduire la quantité de déchets d'appareils électriques et électroniques, afin d'éviter le danger de leurs composants, d'encourager la réutilisation des appareils ainsi que la valorisation de leurs déchets, et de déterminer une gestion appropriée de ceux-ci, en essayant d'améliorer l'efficacité de la protection environnementale, ont été établies de nombreuses normes applicables à la fabrication du produit, et d'autres relatives à la gestion environnementale correcte lorsque ces appareils sont hors service.

De même, on prétend améliorer le comportement environnemental de toutes les personnes qui interviennent dans le cycle de vie des appareils électriques et électroniques, tels que les producteurs, les distributeurs, les utilisateurs et, en particulier, les intervenants directement impliqués dans la gestion des déchets dérivés de ces appareils.

À partir du 13 août 2005, quand vous souhaitez vous débarrasser de votre appareil usagé, vous avez deux façons de vous en défaire :

- si vous achetez un nouvel appareil qui est plus ou moins du même genre ou qui réalise les mêmes fonctions que votre appareil usagé, vous pourrez le remettre au distributeur, sans aucun frais à votre charge, au moment de l'achat
- ou bien vous pourrez le déposer à l'endroit destiné à cette fin par les différents organismes locaux.

Les frais de gestion seront à notre charge.

Les appareils portent une étiquette sur laquelle figure le symbole d'une "poubelle à ordures sur roulettes barrée". Ce symbole indique la nécessité d'une collecte sélective et triée du reste des déchets urbains.

Nos produits sont conçus et fabriqués avec des matériaux et des composants de haute qualité, respectueux de l'environnement, qui sont réutilisables et recyclables. Malgré tout, les différentes parties qui composent cet article ne sont pas biodégradables ; c'est pourquoi, il ne faut pas les mettre au rebut en les jetant dans l'environnement.

CERTIFICAT DE GARANTIE

1. ASPECTS GÉNÉRAUX

- 1.1. Conformément à ces dispositions, le vendeur garantit que le produit **GRE** correspondant à cette garantie ("le Produit") ne présente aucun défaut de conformité au moment de sa livraison.
- 1.2. La Période de Garantie pour le Produit est de deux (2) ans et elle sera calculée à partir du moment de sa remise à l'acheteur.
- 1.3. S'il se produisait un défaut de conformité du Produit et si l'acheteur le notifiait au vendeur pendant la Période de Garantie, le vendeur devrait réparer ou remplacer le Produit à ses propres frais au lieu qu'il jugerait opportun, à moins que cela soit impossible ou disproportionné.
- 1.4. Lorsque le Produit ne pourra être ni réparé ni remplacé, l'acheteur pourra demander une réduction proportionnelle du prix ou, si le défaut de conformité est suffisamment important, la résolution du contrat de vente.
- 1.5. Les parties remplacées ou réparées en vertu de cette garantie n'élargiront pas le délai de la garantie du Produit original, celles-ci étant cependant couvertes par leur propre garantie.
- 1.6. Pour l'effectivité de la présente garantie, l'acheteur devra justifier la date d'acquisition et de livraison du Produit.
- 1.7. Quand plus de six mois se seront écoulés depuis la remise du Produit à l'acheteur et que ce dernier alléguera un défaut de conformité de ce Produit, l'acheteur devra justifier l'origine et l'existence du défaut allégué.
- 1.8. Le présent Certificat de Garantie ne limite pas, ni préjuge les droits correspondant aux consommateurs en vertu des normes nationales de caractère impératif.

2. CONDITIONS PARTICULIÈRES

- 2.1. La présente garantie couvre les produits auxquels ce manuel fait référence.
- 2.2. Le présent Certificat de Garantie ne sera applicable que dans les pays de l'Union européenne.
- 2.3. En vue de l'efficacité de cette garantie, l'acheteur devra suivre strictement les indications du Fabricant comprises dans la documentation qui est jointe au Produit, quand celle-ci sera applicable selon la gamme et le modèle du Produit.
- 2.4. Quand un calendrier sera spécifié pour le remplacement, la maintenance ou le nettoyage de certaines pièces ou de certains composants du Produit, la garantie sera valable uniquement lorsque ledit calendrier aura été suivi correctement.

3. LIMITATIONS

- 3.1. La présente garantie ne sera applicable que dans les ventes réalisées aux consommateurs, considérant comme "consommateur", toute personne qui achète le Produit à des fins ne faisant pas partie du cadre de son activité professionnelle.
- 3.2. Aucune garantie n'est concédée pour ce qui a trait à l'usure normale due à l'utilisation du Produit. En ce qui concerne les pièces, composants et/ou matériels fongibles ou consommables comme les piles, les ampoules, etc., il faudra respecter, le cas échéant, ce qui est stipulé dans la documentation qui est jointe au Produit.
- 3.3. La garantie ne couvre pas les cas où le Produit : (I) a été l'objet d'un traitement incorrect ; (II) a été réparé, entretenu ou manipulé par une personne non autorisée ou (III) a été réparé ou entretenu avec des pièces n'étant pas d'origine.
- 3.4. Quand le défaut de conformité du Produit sera la conséquence d'une installation ou d'une mise en marche incorrecte, la présente garantie répondra uniquement lorsque ladite installation ou mise en marche sera comprise dans le contrat d'achat et de vente du Produit et aura été réalisée par le vendeur ou sous sa responsabilité.

Fig.



Fig. A



Fig. B



Fig. C

DEUTSCH

WICHTIG: Das Handbuch mit den Betriebsanleitungen, das Sie in Händen halten, enthält wichtige Information über die anzuwendenden Sicherheitsmaßnahmen für die Installation und Inbetriebnahme. Es ist daher unerlässlich, daß die Anweisungen vom Installateur und vom Benutzer vor der Montage und Inbetriebnahme aufmerksam durchgelesen werden. Bewahren Sie dieses Handbuch auf, falls Sie zu einem späteren Zeitpunkt Informationen über die Funktion dieses Apparates nachschlagen möchten.

Um die beste Leistung des Skim-Filters, zu erzielen, empfiehlt es sich, die nachfolgenden Anweisungen zu befolgen:

SICHERHEITSHINWEISE, BITTE AUFMERKSAM LESEN

- Bei der gesamten Installation elektrischer Komponenten muss folgende Norm befolgt werden:
NF C15-100

Diese Norm bezieht sich auf "den Aufbau von elektrischen Installationen in Hallenbädern und Freibädern". Ebenso müssen die Normen befolgt werden, die in jeder Region oder jedem Land anwendbar sind.

- "Alle Filtereinrichtungen entsprechen der Norm für die Installation C 15-100, die angibt, dass alle elektrischen Apparate, die sich in weniger als 3,5 m Entfernung vom Schwimmbad befinden und frei zugänglich sind, mit einer Niederspannung von 12 V gespeist werden müssen. Alle Apparate, die mit 220 V gespeist werden, müssen sich mindestens 3,5 m vom Rand des Schwimmbeckens entfernt befinden. Wenn ein oder mehrere Elemente des Filtersystems geändert werden sollen, muss der Hersteller die entsprechende Genehmigung erteilen"
- Die elektrische Installation muss von Fachleuten für elektrische Installationen durchgeführt werden.
- Der Apparat darf nicht laufen, während Sie das Schwimmbad benutzen.
- Der Apparat darf niemals ohne Wasser funktionieren.
- Fassen Sie den laufenden Apparat NIEMALS mit nassen Händen oder nassem Körper an.
- Wenn Sie am Apparat Arbeiten ausführen, UNTERBRECHEN Sie stets die Stromversorgung.
- Bevor Sie Arbeiten an der elektrischen Anlage vornehmen, stellen Sie sicher, dass der Boden trocken ist.
- Legen Sie den Apparat nirgendwo hin, wo er nass werden kann, es besteht die Gefahr eines Elektroschocks.
- Kinder und Erwachsene dürfen sich nicht auf den Apparat setzen oder stützen.
- Der Apparat darf nicht länger als 4 Stunden ununterbrochen benutzt werden.
- Wenn das flexible Speisekabel dieses Apparates beschädigt ist, muss es ersetzt werden. Lesen Sie die Anleitungen zum Austausch des Kabels sorgfältig durch. Bei Zweifeln wenden Sie sich an den Kundendienst.

1. ÜBERPRÜFEN SIE DEN INHALT DES PACKSTÜCKES:

Im Inneren des Kartons befinden sich folgende Zubehörteile. (Abb.1): AR-121, AR-121E, AR-124, AR-124E

1. Set Skim-Filterkörper
- 2a. Set Halter für einen Schwimmbecken aus Blech oder rohrförmig
- 2b. Set Halter für einen selbsttragenden Schwimmbecken
- 3a. Set Klammer für den Halter Schwimmbecken aus Blech oder rohrförmig
- 3b. Set Klammer für den Halter selbsttragenden Schwimmbecken
4. Set Motor und Transformator.
5. Deckel Absaugung
6. Abstandhalter (modelo AR-121)

2. ALLGEMEINE CHARAKTERISTIKEN:

Dieser Skim-Filter ist zur Verwendung bei Swimmingpools mit Süßwasser gedacht. Es handelt sich um einen Elektroapparat der Klasse I mit dem Schutzgrad IPX8 (Widerstand gegen das Eindringen von Staub, festen Körpern und Feuchtigkeit).

ANSCHLUSS DES APPARATES

Der Transformator wird an eine Wechselstromquelle 230V 50 Hz angeschlossen, die über einen omnipolaren Schalter verfügt, damit dem Apparat kein Strom zugeführt wird, wenn er nicht verwendet werden soll und einen Differentialschalter 30 mA zum Schutz gegen elektrische Entladung.

Der Hersteller übernimmt keinerlei Verantwortung für die Montage, Installation und Inbetriebnahme, sofern irgendeine Art Handhabung oder Einbau von Elektrokomponenten nicht in seinem Betrieb durchgeführt worden sind.

3. INSTALLATION:

Die Installation dieser Anlage ist sehr einfach, deshalb kann EIN ERWACHSENER sie in ungefähr einer HALBEN STUNDE fertigstellen. Dabei müssen die Anleitungen in diesem Handbuch genau befolgt werden.

Der Skim-Filter muß in Richtung der vorherrschenden Winde angebracht werden, damit diese dabei helfen, den sich auf der Wasseroberfläche befindenden Schmutz zum Filter zu treiben.

Der Transformator muß mindestens 3,5 m vom Poolrand entfernt angebracht werden. (Abb. 2).

ANBRINGEN DES HALTERS FÜR EINEN SWIMMINGPOOL AUS BLECH ODER ROHRFÖRMIG

Der Halterarm wird in die Aufnahme der Klammer des Skim-Filterhalters geschoben (Abb. 3).

Das Stromkabel wird durch die dafür vorgesehenen Aufnahmen im Inneren des Arms des Skim-Filterhalters durchgeführt, wobei darauf zu achten ist, daß es gut festgehalten wird.

Der Skim-Filter – Set und die Halter set aus Plastik werden auf den Rand des Swimmingpools (Abb. 4) gelegt.

Die Anbringen Muttern werden in die Aufnahme der Verschlussklemme des Halters eingeführt.

Die beiden Schrauben werden von der Innenseite des Swimmingpools her eingeschoben und fest angezogen.

Der Apparat wird ausgerichtet, bis er in eine vollkommen vertikale Lage eingenommen hat.

Achtung: Der Abstand der Verschlussklemme kann mit den Abstandhaltern, die in der Tüte mit den zwei (Nr. 6) Schrauben geliefert werden, erhöht werden. Die genannten Schrauben sind länger als die Schrauben, die montiert geliefert werden, damit die Verschlussklemme mit den Abstandhaltern montiert werden kann.

ANBRINGEN DES HALTERS FÜR DEN SELBSTTRAGENDEN SWIMMINGPOOL

Der Stab für den selbsttragenden Swimmingpool wird in die Aufnahme der Halterklammer des Skim-Filters eingeschoben (Abb. 3).

Der Stab wird mit seinen beiden Befestigungssets abgesichert.

Die Set des Skim-Filters und der Haltestab werden am Rand des Swimmingpools angebracht (Abb. 4).

Der Apparat wird ausgerichtet, bis er in eine vollkommen vertikale Lage eingenommen hat.

4. MONTAGE:

NIVELLIERUNG UND BEFESTIGUNG DES SKIM-FILTERS

pparates ist es unbedingt erforderlich, daß er korrek Stellhebel des Schnellverschlusses bis zur Öffnungstellung drehen (Abb. 9). Skim-filter soweit herunterschieben, bis der Schwimmer (Nr. 3) obenauf der Wasserspiegel schwimmt und sich auf halber Höhe seines Maximalhubes befindet (Abb. 6).

Dann Stellhebel des Schnellverschlusses bis zur Schliesstellung drehen (Abb.9).

SELBSTTRAGENDER SWIMMINGPOOL

Befestigungsmutter der Halterungsstäbchen bis zur Klammerhalter Set führen und fest einschrauben.

Skimfilter leicht neigen. Elektrokabel an Rückseite der Klammerhalter befestigen.

FILTERVORGANG

Der Skim-Filter ist so ausgelegt, daß er den im Wasser des Swimmingpools schwimmenden Schmutz ansaugt und zurückhält. Nach einem ersten Filtervorgang (bis das Wasser im Pool sauber ist), muß einmal am Tag das gesamte Wasservolumen des Pools erneut durch den Filter laufen.

Das Element, das das Wasser reinigt, ist die Filterkartusche (AR-86) die sich im Inneren des Skim-Filters befindet. Sie besteht aus einem Stoff mit sehr feinem Durchlaß, der den Schmutz zurückhält.

Je nach Verschmutzungsgrad, Filterstunden und Wasservolumen des Pools muß die Kartusche (AR-86), mehr oder weniger häufig gereinigt werden. Wenn man beobachtet, daß die in den Pool zurückströmende Wassermenge geringer wird, muß eine Reinigung der Kartusche vorgenommen werden

Die notwendige Filtermenge wird durch das Verhältnis zwischen dem Volumen in m³ des Wassers im Schwimmbad zu den m³/h der Durchflussmenge des Apparates für die Modelle AR-121 oder AR-124 bestimmt.

Der Motor sollte zwischen zwei Funktionsintervallen mindestens 2 Stunden angehalten werden.

$$\frac{\text{Volumen im Schwimmbad in m}^3}{\text{Filterdurchflussmenge in m}^3/\text{h}} = \text{notwendige Stunden}$$

Bei der ersten Behandlung durch Filtern sollten die angegebenen Ruhezeiten eingehalten werden. Je höher die Wassertemperatur im Schwimmbecken ist, desto länger sollte gefiltert werden.

DAS CHEMISCHE PRODUKT DARF NIEMALS IN DEN KORB ODER DURCH DIE SCHWÄMME ODER DIE KARTUSCHE EINGEGEBEN WERDEN. DADURCH WIRD DAS MATERIAL DES APPARATES ZERSTÖRT UND SEINE WIRKSAMKEIT BEEINTRÄCHTIGT.

KEINE AUSFLOCKUNGSMITTEL BENUTZEN!

5. WARTUNG:

REINIGUNG DER FILTERKARTUSCHE

Der Apparat wird von der Stromzufuhr getrennt und aus dem Swimmingpool herausgenommen.

Ziehen Sie fest am Schwimmer (Nr. 3), um ihn aus dem Rohr herauszunehmen und schrauben Sie die Kartusche heraus.

Die Kartusche mit einem Gartenschlauch mit wenig Wasserdruck reinigen (Abb. 5).

Bevor die Kartusche (AR-86) wieder eingesetzt wird, mit dem Gartenschlauch die Innenseite des Rohrs und den Kartuschensitz reinigen (Abb. 7). Nach dem Reinigen die Kartusche bis zum Ende festschrauben (Abb. 8). Nach der Montage wieder im Becken befestigen.

Nach mehreren Waschzyklen muss eventuell die Filterkartusche ausgetauscht werden. Fragen Sie dazu unter der im Handbuch des Schwimmbeckens angegebenen Telefonnummer und während der angegebenen Geschäftszeiten beim Hersteller nach.

6. REINIGUNG DES BODENS DES SCHWIMMBECKENS

Um den Boden zu reinigen, können Sie die Ausrüstung mit dem Zubehör Bodenreiniger AR-2062 benutzen.

Fragen Sie im Fachhandel oder beim Kundendienst des Herstellers Ihres Schwimmbeckens nach.

Benutzen Sie stets Originalersatzteile.

Falls Sie einen zu langen Schlauch benutzen, um alle Ecken des Schwimmbeckens zu erreichen, ist die Reinigung weniger effizient. Kürzen Sie den Schlauch auf die korrekte Länge.

ANSCHLUSS DES BODENREINIGERS AN DIE ANLAGE:

Nehmen Sie den Schwimmer vom Skimfilter ab und bringen Sie oben am Skimfilter das Zubehörteil Deckel zum Absaugen (Nr. 4) an, so dass der Anschluss nach oben zeigt. Versenken Sie dann den Skimmer im Inneren des Schwimmbeckens, und zwar so tief, dass der Ansaugdeckel keine Luft ansaugt.

Führen Sie anschließend den Schlauch wie folgt ein: Führen Sie den Bodenreiniger mit angeschlossenem Stab und Schlauch vertikal in das Innere des Schwimmbeckens ein. Warten Sie, bis er mit Wasser gefüllt ist und halten Sie den Rest des Schlauches außerhalb des Wassers. Führen Sie den Schlauch langsam stückweise in das Wasser ein, während er sich vollständig mit Wasser füllt. (Der ganze Schlauch sollte schließlich mit Wasser gefüllt sein). Wenn die Schlauch nicht

vollständig eingeführt ist, saugt der Bodenreiniger nicht und die Anlage könnte durch ein Arbeiten mit Vakuum beschädigt werden.

Achten Sie darauf, dass keine Luft in die Anlage eindringt, schließen Sie sie an den Ansaugdeckel an. Die Verbindung zwischen dem Schlauch und dem Deckel sollte immer in Wasser getaucht sein, so dass keine Luft eindringen kann.

Starten Sie die Anlage und reinigen Sie den Boden des Schwimmbeckens.

7. ELEKTRISCHE KOMPONENTEN

Um die elektrische Sicherheit zu garantieren, ist die Anlage mit einer elektrischen Gruppe ausgestattet, die gegen das Eindringen von Wasser geschützt ist. Falls das Kabel oder eine Komponente beschädigt wird, sollte die gesamte elektrische Gruppe ausgetauscht werden.

Sie dürfen niemals etwas an den Komponenten der elektrischen Gruppe verändern, damit wäre die Sicherheit der Anlage nicht mehr gewährleistet.

LAGE DER ELEKTRISCHEN GRUPPE

Falls das Kabel oder eine Komponente der elektrischen Gruppe beschädigt ist, gehen Sie wie folgt vor:

- Schließen Sie den Apparat von der Stromzufuhr ab.
- Montieren Sie den Apparat vom Schwimmbad ab.
- **Unten am Apparat schalten Sie den Motor des Körpers ab und entfernen ihn.**

Skim-filter AR121-AR121E

Falls die Elektrogruppe ausgetauscht werden muss, beachten Sie, dass sich neben dem Motor eine Schraube (Abb. A) befindet, die niemals fester angezogen werden darf, als sie ursprünglich angezogen war. Es handelt sich um eine Sicherheitsschraube, die verhindert, dass Kinder den Motor herausnehmen können.

Für den Ausbau des Motors drehen Sie das Skim-Filter, so können Sie besser arbeiten. Drehen Sie zunächst die Schraube (Abb. B) vollständig heraus. Dann nehmen Sie den Motor mit einer Vierteldrehung nach rechts heraus, wobei Sie den Ring (Abb. C) anheben müssen. Um den Motor wieder in das Skim-Filter einzusetzen, wird zunächst der Motor eingesetzt und nach links gedreht. Anschließend wird die Schraube genauso fest wieder angezogen, wie sie es vorher war.

Bringen Sie den neuen Motor an und befestigen Sie ihn am Körper.

Skim-filter AR124-AR124E

Die drei Schrauben, die den Motor halten, lösen und die Elektrogruppe/Motor abnehmen.

Die neue Elektrogruppe/Motor anbringen und die drei Schrauben an den Körper des Skimmers schrauben. Die untere Abdeckung mit den drei dazugehörigen Schrauben wieder befestigen.

- Bringen Sie die Anlage wieder am Schwimmbad an. Befolgen Sie dazu die Anweisungen im Absatz MONTAGE in diesem Handbuch.

8. WINTER – INSTANDHALTUNG BEI NICHTBENUTZUNG

Um einen guten Zustand der Anlage zu garantieren, sollte sie im Winter verstaubt werden. Ebenso sollte sie vom Schwimmbecken abmontiert werden, wenn sie über einen längeren Zeitraum nicht benutzt wird. Nach der Demontage muss das Filter gereinigt und alle Komponenten mit einem nicht kratzenden, weichen Tuch oder saugfähigem Papier getrocknet werden. Ratsam ist die Aufbewahrung in der Originalverpackung und an einem trockenen Ort. Bei Verstauben der Anlage sollte auch eine Sichtprüfung des Zustands des Kabels und der übrigen Komponenten durchgeführt werden, um diese, falls notwendig, auszutauschen. Gehen Sie dazu so vor, wie es im Absatz ELEKTRONISCHE KOMPONENTEN beschrieben ist. Nach dem Überwintern wird die Anlage wie bei einer Neuinstallation wieder am Schwimmbecken angebracht.

PROBLEME	LÖSUNGEN
Der Skim-Filter läßt wenig Wasser einlaufen.	Die Kartusche ist schmutzig. Sie muß gereinigt werden.
Der Skim-Filter filtert nicht, läßt aber Wasser in den Pool strömen.	Überprüfen Sie, ob der Deckel der Kartusche korrekt aufgesetzt ist.
Der Skim-Filter bewegt das Wasser nicht.	Überprüfen sie den Stromanschluß und ob Strom am Anschluß anliegt.
Der Skim-Filter läßt wieder schmutziges Wasser in den Pool strömen.	Überprüfen Sie den guten Zustand der Kartusche und ihre korrekte Verlegung.

Falls Sie das Problem nicht lösen können, setzen Sie sich mit dem Hersteller des Schwimmbeckens unter der Telefonnummer in Verbindung, die im Handbuch angegeben ist.

9. UMWELTINFORMATION Behandlung von elektrischen und elektronischen Geräten nach ihrer Abnutzung (nur innerhalb der EG anwendbar)



Um die Menge an Abfällen, die aus elektrischen und elektronischen Geräten bestehen, zu reduzieren, die Gefahr einzudämmen, die Wiederverwertung der Apparate und die Bewertung dieser Rückstände zu fördern und ein geeignetes Management zu finden, um die Wirksamkeit des Umweltschutzes zu erhöhen, werden eine Reihe von Normen festgelegt, die auf die Herstellung des Produktes angewandt werden, und Normen, die sich auf die korrekte und umweltbewusste Entsorgung beziehen, wenn diese Produkte zu Abfall werden.

Ebenso soll das Umweltbewusstsein aller Beteiligten verbessert werden, die mit den elektrischen und elektronischen Apparaten während deren gesamtem Nutzungszyklus in Kontakt kommen, das sind zum Beispiel die Hersteller, die Vertrieber, die Benutzer und insbesondere diejenigen, die direkt mit der Entsorgung der Rückstände zu tun haben, die durch diese Apparate entstehen.

Ab dem 13. August 2005 gibt es zwei Möglichkeiten für die Rückgabe, wenn Sie diesen Apparat entsorgen möchten:

- Falls Sie einen neuen, ähnlichen Apparat oder einen, der den gleichen Funktionen dient, erwerben, können Sie das alte Gerät kostenlos beim Kauf des neuen Gerätes an Ihren Verkäufer zurückgeben.
- Oder Sie können den Apparat zu einer der öffentlichen Annahmestellen für diese Art von Sondermüll bringen.

Wir übernehmen die Kosten der Entsorgung.

Die Apparate sind mit einem Etikett mit dem Symbol eines „durchgestrichenen Abfallcontainers mit Rädern“ versehen. Dieses Symbol gibt an, dass es sich um Sondermüll handelt, und nicht um gewöhnlichen städtischen Müll.

Unsere Produkte bestehen aus Materialien und Komponenten hoher Qualität, die umweltfreundlich sind und wieder benutzt oder recycelt werden können. Dennoch sind die verschiedenen Teile, aus denen dieses Produkt besteht, nicht biologisch abbaubar, deshalb können sie nicht einfach weggeworfen werden. Um dieses Produkt korrekt zu recycling, bitte den elektrischen Motor von der Filteranlage zerlegen.

GARANTIEZERTIFIKAT

1. ALLGEMEINE GESICHTSPUNKTE

- 1.1. In Übereinstimmung mit diesen Verfügungen garantiert der Verkäufer, dass das Produkt **GRE** dieser Garantie („das Produkt“) entspricht und dass es im Moment der Übergabe in allen Punkten mit den Anforderungen übereinstimmt.
- 1.2. Der Garantiezeitraum für das Produkt beträgt zwei (2) Jahre und wird ab dem Augenblick der Lieferung an den Käufer gerechnet.
- 1.3. Falls ein Mangel am Produkt auftritt und der Käufer den Verkäufer innerhalb des Garantiezeitraums darüber unterrichtet, muss der Verkäufer das Produkt auf eigene Kosten dort reparieren oder ersetzen, wo es für ihn am günstigsten ist, es sei denn, dies ist unmöglich oder unverhältnismäßig.
- 1.4. Wenn das Produkt weder repariert noch ersetzt werden kann, kann der Käufer einen angemessenen Preisnachlass beantragen, oder, falls es sich um einen größeren Mangel handelt, die Auflösung des Kaufvertrages.
- 1.5. Die Teile, die aufgrund dieser Garantie ersetzt oder repariert werden, verlängern den Garantiezeitraum für das Originalprodukt nicht. Jedoch existiert für diese Teile eine eigene Garantie.
- 1.6. Um die vorliegende Garantie wirksam werden zu lassen, muss der Käufer das Kaufdatum und das Lieferdatum des Produktes belegen.
- 1.7. Nach Ablauf von sechs Monaten ab Lieferung des Produktes an den Käufer muss, im Falle eines Mangels, der Käufer den Ursprung und das Vorhandensein des angegebenen Mangels belegen.
- 1.8. Das vorliegende Garantiezertifikat schränkt die Rechte, die der Verbraucher aufgrund der herrschenden, nationalen Gesetzgebung hat, nicht ein.

2. SONDERBEDINGUNGEN

- 2.1. Die vorliegende Garantie gilt für die Produkte, auf die sich dieses Handbuch bezieht.
- 2.2. Das vorliegende Garantiezertifikat ist nur in den Ländern der Europäischen Gemeinschaft anwendbar.
- 2.3. Diese Garantie gilt nur, wenn der Käufer alle Anweisungen des Herstellers, die in der produktbegleitenden Dokumentation enthalten sind und für die jeweilige Produktlinie und Modell anwendbar ist, streng einhält.
- 2.4. Wenn ein Zeitplan für den Austausch von Teilen, die Instandhaltung und Reinigung bestimmter Teile oder Produktkomponenten aufgestellt wurde, gilt die Garantie nur dann, wenn dieser Zeitplan korrekt eingehalten wurde.

3. EINSCHRÄNKUNGEN

- 3.1. Die vorliegende Garantie ist nur auf Verkäufe an Verbraucher anwendbar. „Verbraucher“ sind alle Personen, die dieses Produkt zu privaten Zwecken erwerben.
- 3.2. Es wird keine Garantie für die normale Abnutzung durch den Gebrauch des Produktes gewährt. Informationen über Teile, Komponenten und/oder verschleißbare Materialien oder Verbrauchsgüter oder Batterien, Glühbirnen etc. finden Sie in der Dokumentation, die das jeweilige Produkt begleitet.
- 3.3. In folgenden Fällen gilt die Garantie nicht: (I) Das Produkt wurde nicht korrekt benutzt; (II) das Produkt wurde von nicht autorisierten Personen repariert, instandgehalten oder bedient oder (III) das Produkt wurde mit nicht originalen Ersatzteilen repariert oder instandgehalten.
- 3.4. Wenn der Mangel auf eine falsche Installation oder Inbetriebnahme zurückzuführen ist, gilt die vorliegende Garantie nur, wenn diese Installation oder Inbetriebnahme in den Kaufvertrag des Produktes eingeschlossen war, und von dem Verkäufer oder auf dessen Verantwortung durchgeführt wurde.

Abb.



Abb. A



Abb. B



Abb. C

IMPORTANTE: Il manuale d'istruzioni in suo possesso contiene informazioni fondamentali sulle misure di sicurezza da adottare per l'installazione e la messa in servizio. Per ciò è imprescindibile che sia l'installatore che l'utente leggano le istruzioni prima di iniziare il montaggio e la messa in servizio.
Conservi questo manuale per poter consultare in futuro in merito all'installazione di questo apparecchio.

Per ottenere un ottimo rendimento dello Skim-filter, è conveniente fare attenzione alle seguenti istruzioni:

INDICAZIONI DI SICUREZZA, LEGGERE ATTENTAMENTE

- Per tutto ciò che riguarda l'installazione elettrica, si deve seguire la normativa:
NF C15-100

che si riferisce a "la realizzazione di installazioni elettriche, sia in piscine al coperto sia in piscine all'aria aperta", o la normativa analoga in vigore in ogni zona o paese.

- "Tutti i filtri adempiono alla norma d'installazione C 15-100 che specifica che ogni apparecchio elettrico ubicato a meno di 3,5 m dalla piscina e accessibile liberamente deve essere alimentato con una tensione molto bassa da 12 V. Ogni apparecchio alimentato a 220 V deve essere ubicato almeno a 3,5 m dal bordo della piscina. Si renderà necessario richiedere l'autorizzazione del fabbricante per qualsiasi modifica di uno o più elementi del sistema di filtraggio"
- L'installazione elettrica deve essere realizzata da personale professionale qualificato in installazioni elettriche.
- Non tenga l'apparecchio in marcia mentre utilizza la piscina.
- Non faccia funzionare l'apparecchio senza acqua.
- Non tocchi MAI l'apparecchio in marcia con il corpo umido o le mani umide.
- Tutte le volte che si renda necessario manipolare l'apparecchio, bisognerà **DISINSERIRLO** dalla presa di corrente.
- Si assicuri che il suolo sia asciutto, prima di toccare l'apparecchio elettrico.
- Non collochi l'apparecchio in luoghi ove possa bagnarsi, giacché ciò potrebbe causare scosse elettriche.
- Non permetta né a bambini né a adulti di appoggiarsi o di sedersi sull'apparecchio.
- Non utilizzare l'apparecchio per più di 4 ore di seguito.
- Se il cavo flessibile dell'alimentazione di questo apparecchio è danneggiato, si renderà necessario sostituirlo. Legga attentamente le istruzioni riguardanti la sua sostituzione. In caso di dubbi, si rivolga ad un servizio tecnico.

1. CONTROLLARE IL CONTENUTO DELL'IMBALLAGGIO:

Nell'interno della cassa troverà i seguenti accessori (Fig. 1): AR-121, AR-121E, AR-124, AR-124E

- 1 Gruppo corpo dello Skim-filter
- 2a Gruppo supporto piscina lamiera o tubolare
- 2b Gruppo supporto piscina autoportante
- 3a Gruppo flangia supporto piscina lamiera o tubolare
- 3b Gruppo flangia supporto piscina autoportante
- 4 Gruppo motore e trasformatore
- 5 Coperchio aspirazione
- 6 Distanziatore (modelo AR-121)

2. CARATTERISTICHE GENERALI

Questo Skim-filter è stato progettato per essere utilizzato in piscine d'acqua dolce. Si tratta di un apparecchio elettrico di classe I che rispetta il grado di protezione IPXB (resistenza alla penetrazione di polvere, ai corpi solidi e all'umidità).

COLLEGAMENTO DELL'APPARECCHIO

Collegare il trasformatore ad una fonte di corrente alternata di 230V 50 Hz, che disponga di un interruttore onnipolare, per lasciare senza tensione l'apparecchio quando non debba essere utilizzato e, un differenziale di 30 mA per la protezione dalle scariche.

Il fabbricante rifiuta qualsiasi responsabilità per il montaggio, l'installazione o la messa in funzione di componenti elettrici che siano stati manipolati o introdotti al di fuori dei suoi stabilimenti.

3. INSTALLAZIONE

Data la sua facilità d'installazione, questo apparecchio può essere montato da UNA PERSONA ADULTA e in un periodo di tempo di circa mezz'ora, con la precauzione in ogni caso di rispettare in maniera corretta le istruzioni che vengono riportate in questo manuale.

Collocare lo Skim-filter a favore dei venti dominanti, in modo che questi aiutino a portare la sporcizia che rimane sulla superficie della piscina verso il filtro.

Il trasformatore deve essere situato come minimo a 3,5 m dal bordo della piscina (Fig. 2).

COLLOCAZIONE DEL SUPPORTO PER PISCINA DI LAMIERA O TUBOLARE

Inserire il braccio supporto nella sede della flangia supporto dello Skim-filter (Fig.3).

Passare il cavo di alimentazione attraverso le sedi situate all'interno del braccio supporto dello Skim-filter, assicurandosi che sia ben fissato.

Situare il gruppo Skim-filter ed il gruppo supporto in plastica sul bordo della piscina (Fig. 4).

Collocare i due dadi nelle apposite sedi della pinza chiudi supporto.

Passare le due viti dall'interno della piscina ed avvitarle con forza.

Equilibrare l'apparecchio in modo che rimanga in posizione verticale

Attenzione: si può aumentare la distanza della pinza di chiusura per mezzo dei due distanziatori che vengono forniti in una busta (nr. 6) con due viti, queste viti sono più lunghe di quelle che vengono fornite già montate, allo scopo di poter avvitare la pinza di chiusura con i distanziatori.

COLLOCAZIONE DEL SUPPORTO PER PISCINA AUTOPORTANTE

Inserire l'asta per piscine autoportanti nella sede della flangia supporto dello Skim-filter (Fig. 3).

Assicurare l'asta con i suoi due gruppi di fissaggio.

Situare il gruppo Skim-filter e l'asta supporto sul bordo della piscina (Fig. 4).

Equilibrare l'apparecchio in modo che rimanga in posizione verticale

4. MONTAGGIO

LIVELLAMENTO E FISSAGGIO DELLO SKIM-FILTER

Per il buon funzionamento dell'apparecchio, è imprescindibile un corretto livellamento dello stesso.

Per fare ciò, girare la leva del insieme flangia e tenuta fino alla posizione aperto (Fig. 9) e far slittare lo Skim-filter finché il galleggiante (n° 3) rimanga sospeso nell'acqua e circa a metà della sua corsa (Fig. 6).

Una volta posizionato, fissarlo girando la leva dell'insieme flangia e tenuta fino alla posizione chiuso (Fig. 9).

PISCINA AUTOPORTANTE

Spostare i due insiemi di fissaggio della barra (n° 8) fino alla flangia e stringere fortemente.

Inclinare leggermente lo Skim-filter e fissare il cavo nella parte posteriore della flangia.

FILTRAZIONE

Lo Skim-filter è progettato per aspirare e trattenere le impurità che si trovano sospese nell'acqua della piscina. Dopo un trattamento iniziale di filtrazione (fino a che l'acqua della piscina sia pulita), si dovrà fare ricircolare nuovamente una volta al giorno, tutto il volume della piscina.

L'elemento che realizza la pulizia dell'acqua è la cartuccia filtrante (n° 3) che si trova all'interno dello Skim-filter. Questa è composta da una tela con un passo molto fine che trattiene la sporcizia.

In funzione della sporcizia, delle ore di filtrazione e del volume della piscina, la cartuccia filtrante deve essere pulita con maggiore o minore assiduità. Quando si osserva che la quantità d'acqua rinviata alla piscina diminuisce, si procederà alla pulizia della cartuccia filtrante.

Le necessità di filtraggio sono date dal volume in m³ di acqua della sua piscina in relazione con i m³/h di portata dell'apparecchio in funzione del modello AR-121 o AR-124.

Bisogna lasciare almeno 2 ore di riposo al motore, tra intervalli di funzionamento.

$$\frac{\text{Volume piscina in m}^3}{\text{Portata filtro in m}^3/\text{h}} = \text{ore necessarie}$$

Nel trattamento iniziale di filtraggio si devono rispettare i periodi di riposo indicati. Si consiglia di aumentare il tempo di filtraggio quanto maggiore sia la temperatura dell'acqua della sua piscina.

IL PRODOTTO CHIMICO NON DEVE ESSERE INSERITO NEL CESTO ATTRAVERSO LE SPUGNE O LA CARTUCCIA, IN NESSUN CASO, GIACCHÉ CIÒ POTREBBE CAUSARE DANNI AI MATERIALI DELL'APPARECCHIO E NE LIMITEREBBE L'EFFICACIA.

NON BISOGNA UTILIZZARE FLOCCULANTE!

5. MANUTENZIONE

PULIZIA DELLA CARTUCCIA FILTRANTE

Disinserire l'apparecchio dalla presa di corrente ed estrarlo dalla piscina.

Tirare con forza il galleggiante (n° 5) per estrarlo dal tubo e svitare la cartuccia (n° 1) dal suo interno. Collochi la cartuccia sotto ungetto d'acqua a bassa pressione fino ad osservare che il filtro sia pulito (Fig. 5).

Prima d'introdurre la cartuccia (n° 3) dentro l'apparato, lavare con il getto d'acqua l'interno del suo alloggiamento (Fig. 7). Una volta pulita, avvitare la cartuccia sino in fondo (Fig. 8). Quando è montato introdurlo di nuovo nella piscina.

Dopo vari cicli di lavaggio, può essere necessario il cambio della cartuccia filtrante; in questo caso, si metta in contatto con il fabbricante della piscina al numero di telefono e gli orari indicati nelle istruzioni della piscina.

6. PULIZIA DEL FONDO DELLA PISCINA

Per la pulizia del fondo della piscina, si può utilizzare l'apparecchio stesso, con l'accessorio puliscifondo AR-2062.

Si rivolga al suo negozio di fiducia o al servizio post-vendita del fabbricante della piscina, per avere informazioni sull'acquisto.

Utilizzi sempre ricambi originali.

Una lunghezza del manicotto superiore a quella necessaria per arrivare a tutti i punti della piscina riduce l'effettività. Ritagli il tratto di manicotto che avanzi.

CONNESSIONE DEL PULISCIFONDO ALL'APPARECCHIO:

Togliere il galleggiante dello skimfilter, mettere nella parte superiore dello skimfilter l'accessorio coperchio aspirazione (n° 12) con la presa verso l'alto e immergere lo skimmer all'interno della piscina sufficientemente affinché il coperchio aspirazione non prenda aria.

In seguito, purgare il manicotto nella forma descritta a seguito: introdurre lentamente all'interno della piscina il puliscifondo con la pertica e il manicotto connesso, in senso verticale, lasciando che si riempia d'acqua, mantenendo il resto del

manicotto fuori dall'acqua. Introduca il manicotto nell'acqua lentamente per tratti mentre allo stesso tempo si riempie completamente d'acqua, fino alla fine, quando tutto il manicotto dovrà essere pieno d'acqua. Se il manicotto non è totalmente purgato, il puliscifondo non aspirerà e si potrebbe danneggiare l'apparecchio facendolo lavorare a vuoto. Facendo attenzione che non vi entri acqua, connetterlo alla presa del coperchio aspirazione. L'unione del manicotto e il coperchio deve essere sempre sommersa per evitare l'eventuale entrata d'aria. Mettere in marcia l'apparecchio e procedere alla pulizia del fondo della piscina.

7. COMPONENTI ELETTRICI

Per garantire la sicurezza elettrica, l'apparecchio è dotato di un gruppo elettrico protetto contro l'entrata di acqua, e in caso di deterioramento del cavo o di uno dei suoi componenti si renderà necessario cambiare tutto il gruppo elettrico.

Non bisogna in alcun caso manipolare alcun componente del suddetto gruppo elettrico, giacché in questo caso si annullerebbe la sicurezza del apparecchio.

SOSTITUZIONE DEL GRUPPO ELETTRICO

In caso de deterioramento del cavo o di uno dei componenti del gruppo elettrico, si renderà necessario procedere nella forma descritta a seguito.

- Sconnettere l'apparecchio dalla presa della corrente.
- Smontare l'apparecchio dalla piscina e toglierlo.
- **Nella parte inferiore dell'apparecchio, sconnettere il motore del gruppo corpo e toglierlo.**

Skim-filter AR121-AR121E

Nella sostituzione del gruppo elettrico, si renderà necessario tenere in conto che al lato del motore vi è una vite, come indicato nella Fig. A, e questa vite non dovrà mai essere avvitata più di quanto già non sia. A funzione di questa vite è di sicurezza, affinché un bambino non possa estrarre il motore.

Per estrarre il motore è sufficiente girare lo skim - filter per poter lavorare meglio, prima si deve svitare completamente la vite (Fig. B) e in seguito togliere il motore realizzando un quarto di giro verso destra tenendo in conto che si deve sollevare la linguetta (Fig. C) per estrarre il motore in maniera corretta.

Per rimettere il motore nello skim - filter, si renderà necessario inserire in primo luogo il motore realizzando un giro a sinistra e poi avvitare la vite fino alla stessa profondità alla quale si trovava precedentemente.

Situare il nuovo motore e allacciarlo al gruppo corpo.

Skim-filter AR124-AR124E

Svitare le tre viti che sostengono il motore ed estrarre il gruppo elettrico / motore.

Inserire il nuovo gruppo elettrico / motore avvitando le tre viti al corpo dello skimmer e rimettere il coperchio inferiore avvitato con le tre viti corrispondenti.



Fig. A

Fig. B

Fig. C

- Rimontare l'apparecchio nella piscina seguendo le istruzioni del capitolo INSTALLAZIONE di questo manuale.

8. PERIODO INVERNALE – MANUTENZIONE FUORI USO

Per garantire una buona conservazione dell'apparecchio, durante il periodo invernale o quando lo stesso non viene usato per lunghi lassi di tempo, si renderà necessario conservarlo, e per farlo bisognerà smontarlo dalla piscina e procedere alla pulizia del filtro e ad asciugarne tutti i componenti con un panno morbido o con carta assorbente per non graffiarlo, quindi è consigliabile conservarlo nel suo nel suo imballaggio originale, e in un luogo asciutto. È consigliabile approfittare questa occasione per verificare visivamente lo stato del cavo e degli altri componenti elettrici per procedere eventualmente a sostituirli nel caso in cui ciò si rendesse necessario. In questo caso, si dovrà procedere come indicato nel capitolo COMPONENTI ELETTRICI.

Dopo un periodo in cui l'apparecchio è stato conservato, bisognerà procedere alla sua installazione come se fosse nuovo.

PROBLEMI	SOLUZIONI
Lo Skim-filter spinge poca acqua	La cartuccia è sporca. Va pulita
Lo Skim-filter non filtra anche se introduce acqua nella piscina	Verificare se il coperchio della cartuccia è correttamente installato
Lo Skim-filter non muove acqua	Verificare la connessione e se arriva corrente alla presa
Lo Skim-filter rinvia acqua sporca alla piscina	Verificare il buono stato della cartuccia e la sua corretta installazione

Nel caso in cui non si potesse risolvere il problema, mettersi in contatto con il fabbricante della piscina chiamando al numero di telefono indicato nelle istruzioni.

9. INFORMAZIONI AMBIENTALI Trattamento di apparecchi elettrici ed elettronici al termine della loro vita utile (Solo applicabile nella U.E.)



Allo scopo di ridurre la quantità di residui di apparati elettrici ed elettronici, la pericolosità dei componenti, promuovere il riutilizzo degli apparecchi, la valutazione dei loro residui e determinare una gestione adeguata cercando di migliorare l'efficacia della protezione ambientale, si stabiliscono una serie di norme applicabili alla fabbricazione del prodotto ed altre relative alla corretta gestione ambientale quando si trasformino in residui.

Allo stesso modo, si cerca di migliorare il comportamento ambientale di tutti gli agenti che intervengono nel ciclo vitale degli apparecchi elettrici ed elettronici, come i produttori, i distributori, i consumatori e, in particolare, il comportamento di quegli agenti direttamente implicati nella gestione dei residui derivati da questi apparecchi. A partire dal 13 agosto del 2005, quando vorrà disfarsi di questo apparecchio, avrà due possibili sistemi di rottamazione a sua disposizione:

- se acquista un apparecchio nuovo che sia di tipo equivalente o che svolga le stesse funzioni di quello da rottamare, potrà consegnarlo direttamente al distributore, senza alcun costo, al momento dell'acquisto;
- potrà portarlo nel luogo appositamente destinato dai vari enti locali.

Noi ci faremo carico dei costi di gestione.

Gli apparecchi sono etichettati con il simbolo di un "contenitore della spazzatura, sbarrato", questo simbolo indica la necessaria raccolta selettiva e differenziata dal resto della spazzatura urbana.

I nostri prodotti sono progettati e fabbricati con materiali e componenti di elevata qualità, che rispettano l'ambiente, che possono essere riutilizzati e riciclati. Pur in questo caso, le varie parti che compongono questo prodotto non sono biodegradabili, per cui non devono essere abbandonate nell'ambiente. Per il riciclaggio corretto di questo prodotto, stacchi il motore dal resto dell'apparecchio di filtrazione.

CERTIFICATO DI GARANZIA

1. ASPETTI GENERALI

- 1.1. Ai sensi di queste disposizioni, il venditore garantisce che il prodotto **GRE** corrispondente a questa garanzia ("il Prodotto") non presenta alcun difetto di conformità al momento della consegna.
- 1.2. Il Periodo di Garanzia per il Prodotto è di due (2) anni a decorrere dal momento della sua consegna all'acquirente.
- 1.3. Nel caso in cui si venisse a produrre un difetto di conformità del Prodotto e l'acquirente lo notificasse al venditore nel corso del Periodo di Garanzia, il venditore dovrà riparare o sostituire il Prodotto a sue spese nel luogo che consideri opportuno, salvo il caso che ciò sia impossibile o sproporzionato.
- 1.4. Qualora non sia possibile riparare o sostituire il Prodotto, l'acquirente potrà sollecitare una riduzione proporzionale del prezzo o, nel caso in cui il difetto di conformità sia sufficientemente importante, lo scioglimento del contratto di vendita.
- 1.5. Le parti sostituite o riparate in virtù di questa garanzia non allargheranno il termine di scadenza della garanzia del Prodotto originale, sebbene disporranno della loro propria garanzia.
- 1.6. Affinché la presente garanzia possa essere effettiva, l'acquirente dovrà attestare la data d'acquisto e di consegna del Prodotto.
- 1.7. Una volta trascorsi più di sei mesi dalla consegna del Prodotto all'acquirente e questi avverta un difetto di conformità del medesimo, l'acquirente dovrà attestare l'origine e l'esistenza del difetto in questione.
- 1.8. Il presente Certificato di Garanzia non limita o pregiudica i diritti che corrispondano ai consumatori in virtù delle norme nazionali di carattere imperativo.

2. CONDIZIONI PARTICOLARI

- 2.1. La presente garanzia copre i prodotti ai quali si riferisce questo manuale.
- 2.2. Il presente Certificato di Garanzia è applicabile unicamente nei paesi dell'Unione Europea.
- 2.3. Affinché questa garanzia sia efficace, l'acquirente dovrà seguire in maniera rigorosa le indicazioni del fabbricante riportate nella documentazione fornita insieme al Prodotto, quando questa risulti applicabile secondo la gamma e il modello del Prodotto.
- 2.4. Nei casi in cui venga specificato un calendario per la sostituzione, la manutenzione o la pulizia di certi pezzi o componenti del Prodotto, la garanzia sarà valida solo se detto calendario sarà stato rispettato in maniera corretta.

3. LIMITAZIONI

- 3.1. La presente garanzia potrà essere applicata solo nei casi di vendite realizzate a consumatori, laddove per "consumatori" s'intendono le persone che acquistano il Prodotto per scopi che non rientrano nell'ambito della loro attività professionale.
- 3.2. Non viene concessa alcuna garanzia nei riguardi del normale consumo per uso del prodotto. In relazione ai pezzi, ai componenti e/o ai materiali fungibili o consumabili quali pile, lampadine, ecc., sarà valido quanto disposto nella documentazione fornita con il Prodotto, ove sussista.
- 3.3. La garanzia non copre i casi in cui il Prodotto: (I) sia stato oggetto di un uso non corretto; (II) sia stato riparato, sottoposto a manutenzione o manipolato da persone non autorizzate o (III) sia stato riparato o sottoposto a manutenzione con pezzi non originali.
- 3.4. Nel caso in cui il difetto di conformità del Prodotto sia conseguenza di una installazione o una messa in marcia non corrette, la presente garanzia sarà valida solo nel caso in cui l'installazione o la messa in marcia di cui sopra sia compresa nel contratto di compravendita del Prodotto e sia stata realizzata dal venditore o sotto la sua responsabilità.

NEDERLANDS

BELANGRIJK: De handleiding met instructies die voor U ligt bevat fundamentele informatie omtrent de veiligheidsmaatregelen die in acht moeten worden genomen bij het installeren en de in werking stelling van dit product. Daarom is het absoluut noodzakelijk dat zowel de installateur als de gebruiker de instructies aandachtig lezen alvorens tot de montage en in werking stelling over te gaan. Aangeraden wordt om deze handleiding zorgvuldig te bewaren voor eventuele verdere raadpleging betreffende de werking van dit apparaat.

Voor een optimaal rendement van de Skimfilter dient bijgesloten gebruiksaanwijzing aandachtig te worden doorgelezen.

DE VEILIGHEIDSAANWIJZINGEN AANDACHTIG DOORNEMEN

- Voor alles wat de elektrische installatie betreft moet de norm **NF C15-100** gevolgd worden die betrekking heeft op “de aanleg van elektrische installaties, zowel voor overdekte zwembaden als voor openlucht zwembaden”, of de desbetreffende norm van ieder land of regio.
- “Voor alle filters moet de installatienorm C15-100 gevolgd worden die duidelijk specificeert dat ieder willekeurig elektrisch apparaat dat zich op minder dan 3,5 m afstand van het zwembad bevindt en waar het publiek vrij toegang toe heeft, op een laag voltage van 12V werkt. Elk apparaat dat werkt op een voltage van 220V moet op zijn minst op een afstand van 3,5 m van de rand van het zwembad geplaatst worden. Voor het veranderen van een of meerdere elementen van het filtersysteem moet toestemming aan de fabrikant gevraagd worden”
- De elektrische installatie moet aangelegd worden door vakmensen, gespecialiseerd in elektrische installaties
- Het apparaat mag niet in werking zijn wanneer het zwembad in gebruik is.
- Het apparaat niet laten werken zonder water
- **NOOIT** met een nat lichaam of natte handen het werkende filter aanraken.
- Bij het manipuleren van het apparaat altijd van de stroomtoevoer **AFSLUITEN**
- Alvorens enig elektrisch toestel aan te raken eerst controleren of de grond droog is.
- Het apparaat nooit plaatsen waar het nat kan worden, dit kan electrocutie veroorzaken.
- Verbied kinderen en volwassenen om op het apparaat te gaan zitten of er tegen aan te leunen.
- Het apparaat nooit meer dan 4 uur achter elkaar gebruiken
- Als het buigbare snoer van dit apparaat beschadigd is, moet het vervangen worden. Lees hiertoe aandachtig de instructies ter vervanging van het snoer. Bij eventuele twijfel de technische dienst raadplegen.

1.DE INHOUD VAN DE DOOS CONTROLEREN:

In de doos dient u aan te treffen (Fig.1): AR-121, AR-121E, AR-124, AR-124E

- 1 Skimfilter lichaam set
- 2a Set dragers voor een metalen zwembad o buisvormige
- 2b Set dragers voor een zelfdragend zwembad
- 3a Set klampen voor dragers metalen zwembad o buisvormige
- 3b Set klampen voor dragers zelfdragend zwembad
- 4 Motor en transformator set
- 5 Deksel zuiginstallatie
- 6 Afstandshouder (modelo AR-121)

2.ALGEMENE KENMERKEN:

Deze Skimfilter is ontworpen voor zoetwater zwembaden. Het handelt zich om een elektrisch apparaat klasse I, met protectiegraad IPX8 (bestand tegen het binnendringen van stof, kleine deeltjes en vocht).

AANSLUITEN VAN HET APPARAAT

De transformator wordt aan een wisselstroombron 230V 50Hz aangesloten, die over een omnipolar schakelaar beschikt, opdat het apparaat geen stroom krijgt toegevoerd als het niet wordt gebruikt en een differentieelschakelaar 30 mA ter bescherming tegen elektrische ontlading.

De fabrikant kan in geen enkel geval verantwoordelijk worden gesteld voor de montage, installatie of ingebruikname van een willekeurige manipulatie of inbouw van elektrische componenten niet uitgevoerd in zijn bedrijf.

3.INSTALLATIE:

De installatie van dit bloc is zo eenvoudig dat EEN ENKELE VOLWASSENE daarvoor ongeveer een half uur nodig heeft. Daarbij moet er altijd op gelet worden dat de instructies van de voorliggende handleiding strikt opgevolgd worden.

De Skimfilter moet in de richting van de overheersende wind geplaatst worden, zodat deze helpt het oppervlakte vuil naar het filter te drijven.

De transformator moet minstens op 3,5m. afstand van de rand geplaatst worden (Fig.2).

AANBRENGEN VAN DRAGERS VOOR EEN METALEN ZWEMBAD O BUISVORMIGE

De dragerarm in de houders van de klampen van de Skimfilter plaatsen (Fig.3). De stroomkabel wordt binnendoor door de houders van de Skimfilter gehaald waarbij men dient op te letten dat de kabel goed vast zit.

De Skimfilterset en de plastic houderset worden op de zwembadrand gelegd (Fig.4).

Plaatsen moeren in de daarvoor bestemde ruimtes plaatsen van de sluitklem.

De beide schroeven worden van binnenuit het zwembad stevig vastgeschroefd.

Controleren dat het apparaat goed verticaal geplaatst is.

Let op: de opening van de sluitklem kan vergroot worden met behulp van twee afstandhouders Deze zijn bijgeleverd in een apart zakje (N° 6), samen met twee schroeven die langer dan de al gemonteerde schroeven, zodat de sluitklem dichtgeschroefd kan worden na plaatsing van de afstandhouders.

AANBRENGEN VAN DRAGERS VOOR EEN ZELFDRAGEND ZWEMBAD

De staaf voor het zelfdragende zwembad wordt in de dragersklampen van de Skimfilter geschoven (Fig.3).

De staaf vastzetten met de beide bevestigingssets.

De Skimfilterset en de staafhouder worden op de zwembadrand geplaatst (Fig.4).

Controleren dat het apparaat goed verticaal geplaatst is.

4.MONTAGE:

NIVELLERING EN BEVESTIGING VAN DE SKIMFILTER

De hendel van de sluiting in de openingspositie plaatsen (Fig.9) en de Skimfilter zover naar beneden draaien tot de drijver (Nr.3) op het water drijft en zich ongeveer halverwege bevindt (Fig.6).

De hendel van de sluiting in de sluitpositie plaatsen (Fig.9).

ZELFDRAGEND ZWEMBAD

Bevestigingsmoeren van de bevestigingsstaaf naar de klampen leiden en stevig vastdraaien.

De Skimfilter licht schuin houden en de stroomkabel aan de achterkant van de klemmen bevestigen.

FILTRATIE

De Skimfilter is zo ontworpen dat het drijvend vuil naar zich toe zuigt en vasthoudt. Na een eerste filtratie (totdat het zwembadwater weer schoon is) moet een keer per dag het totale watervolume gefiltreerd worden. Het element dat het water reinigt, is de filterpatroon (AR-86) die zich in de Skimfilter bevindt. De patroon bestaat uit een zeer fijne stof die het vuil tegenhoudt. Afhankelijk van de vervuiling, filtratie-uren en watervolume, dient de patroon (AR-86) vaak of minder vaak te worden schoongemaakt.

Wanneer men constateert dat de hoeveelheid water dat in het zwembad terugstroomt geringer wordt, dient de patroon te worden gereinigd.

De noodzaak tot filtreren is gebaseerd op het volume in kubieke meter water in uw zwembad in verhouding tot het spoelvermogen van apparaat model AR-121 of AR-124, in kubieke meter.

De motor moet tenminste 2 uur rusten tussen de doorspoelingsperioden.

$$\frac{\text{Inhoud van het zwembad in m}^3}{\text{spoelcapaciteit filter in m}^3 / \text{uur}} = \text{noodzakelijke uren}$$

Vooraf in het begin van het gebruik van de filterinstallatie moeten de aangewezen rusturen gerespecteerd worden.

Aanbevolen wordt de spoelingsduur te verlengen al naar gelang de temperatuur van het water in het zwembad hoger is of wordt.

HET CHEMISCHE PRODUKT MAG ONDER GEEN ENKELE VOORWAARDE IN HET MANDJE , VIA DE ZUIGERS OF DE KOKER TOEGEVOEGD WORDEN, AANGEZIEN DIT DE MATERIALEN WAARUIT HET APPARAAT GEMAAKT IS, ZOU AANTASTEN EN DE WERKZAAMHEID ERVAN ZOU BEGRENZEN.

GEEN ANTIVLOKKMIDDELEN GEBRUIKEN !

5.ONDERHOUD

REINIGING VAN DE FILTERPATROON

Het apparaat uitschakelen en uit het zwembad nemen.

Trek stevig aan de drijver om hem uit de basis (Nr.3) te halen. De patroon met een tuinslang met weinig waterdruk reinigen (Fig.5).

Voordat de patroon (AR-86) weer teruggeplaatst wordt, met de tuinslag ook de binnenkant (Fig.7) schoonspoelen. Na het schoonmaken de patroon tot het einde vastdraaien (Fig.8). Na de montage weer in het zwembad bevestigen.

Nadat er herhaaldelijk gespoeld is, kan de vervanging van het filterpatroon noodzakelijk zijn. In dat geval telefonisch contact opnemen met de fabrikant van het zwembad in de uren die vermeld staan in de bijgesloten instructies voor het zwembad.

6. DE BODEM VAN HET ZWEMBAD SCHOONMAKEN

Voor het reinigen van de bodem van het zwembad kan men van de filterpomp met de bodemreiniger **AR-2062** gebruik maken. Raadpleeg hierover de winkel of de afdeling Aftersales van de fabrikant bij wie u het zwembad gekocht heeft. Gebruik altijd originele onderdelen.

Een slang die langer is dan nodig om het hele zwembad te beslaan, is moeilijker in gebruik. Snijd daarom de slang op de juiste lengte af. Let erop dat de rubber aansluitingen niet lekken.

AANSLUITING VAN DE BODEMREINIGER OP HET FILTER :

De vlotter uit de skimmer nemen en het toebehoren zuigklep (Nr.4) met de ingang naar boven in het bovenste gedeelte van de skimmer brengen, en vervolgens de skimmer zover in het zwembad laten zakken dat de zuigkop net geen lucht kan krijgen.

Daarna de slang op de volgende wijze vol laten lopen : met behulp van de stok de bodemreiniger met de aangesloten slang langzaam verticaal in het zwembad laten zakken en vol met water laten lopen waarbij een deel van de slang uit het water gehouden moet worden. Vervolgens de slang beetje bij beetje in het water laten zakken, zodat hij geheel met

water gevuld wordt totdat het einde van de slang bereikt is en hij geheel ondergedompeld is en vol water zit. Als de slang niet volledig vrij van lucht is, zuigt de bodemreiniger niet en kan de waterzuivering beschadigd raken.

Sluit de slang op de aansluiting van de zuigdop aan en houd deze daarbij schuin vast, zodat deze gemakkelijker kan worden aangesloten. Het waterpeil van de skimmer dient maximaal te zijn en zich boven de verbinding van dop en slang te bevinden, zodat er geen lucht in kan komen.

Zet de pomp aan in de stand zuiveren (filter) en maak de bodem van het zwembad schoon.

7. ELEKTRISCHE COMPONENTEN

Teneinde de elektrische veiligheid te garanderen is het bloc uitgerust met een elektrisch ensemble dat tegen het binnenkomen van water beschermd is. In geval het snoer of een van de andere componenten beschadigd zou raken, moet het hele elektrische ensemble vervangen worden.

Onder geen enkele voorwaarde mag er één deel alleen van deze componenten gemanipuleerd of vervangen worden, aangezien dit de veiligheid van het hele ensemble teniet zou doen.

VERVANGEN VAN HET ELEKTRISCHE BLOC

In geval het snoer of een van de andere componenten beschadigd zou raken, als volgt te werk gaan :

- Het apparaat van de stroomtoevoer afsluiten
- Het apparaat van het zwembad demonteren en wegnemen
- **Aan de onderkant van het apparaat de motor demonteren en wegnemen**

Skimfilter AR121-AR121E

Bij het vervangen van de elektrische eenheid moet men erop letten dat er aan de motorzijde een schroef zit, zoals aangegeven in Fig. A; deze schroef moet men nooit verder aandraaien dan bij levering. Dit is een veiligheidsschroef, bedoeld om te voorkomen dat een kind de motor kan verwijderen.

Verdraai het skim filter bij het verwijderen van de motor om makkelijker te kunnen werken. Eerst moet men de schroef geheel los schroeven (Fig. B) en vervolgens verwijdert men de motor door deze een kwartslag naar rechts te draaien, er daarbij rekening mee houdend dat men het lipje moet optillen (Fig. C) om de motor correct te kunnen verwijderen.

Om te motor weer te installeren, plaatst men eerst de motor met een draai linksom, en vervolgens draait men de schroef weer aan tot op dezelfde diepte als voorheen.

Een nieuwe motor plaatsen en vastzetten aan het bloc

Skimfilter AR124-AR124E

Draai de 3 schroeven waarmee de motor vastzit los en verwijder de motor met elektrische installatie.

Plaats de motor met elektrische installatie weer terug op zijn plek door de 3 schroeven vast te draaien in het lichaam van de skimmer en bevestig het onderdeksel door de 3 corresponderende schroeven vast te draaien.

- Het bloc weer opnieuw monteren aan het zwembad volgens de instructies onder hoofdstuk "INSTALLATIE" van deze handleiding.

8. WINTERPERIODE - ONDERHOUD BIJ BUITEN GEBRUIK STAAN

Teneinde een goed behoud van alle componenten te garanderen, moeten ze gedurende de winterperiode of tijdens langere perioden waarbij het zwembad niet in bruik is, bewaard worden. Daartoe moet het zwembad gedemonteerd worden, het filter gereinigd worden en alle componenten moeten met een zachte doek of met absorberend papier om krassen te voorkomen, afgedroogd worden. Aangeraden wordt alle toebehoren weer in de originele verpakking en op een droge plaats te bewaren. Eveneens aangeraden wordt hierbij het snoer en de overige elektrische toebehoren op het oog te controleren en indien nodig, te vervangen. Hiertoe te werk gaan zoals beschreven in de paragraaf ELEKTRISCHE COMPONENTEN.

Na de winterperiode kunnen alle toebehoren weer geïnstalleerd worden alsof het zwembad nieuw was, en altijd de voorliggende instructies opvolgen.

PROBLEMEN	OPLOSSINGEN
De Skimfilter laat weinig water binnen	De patroon is vuil. Schoonmaken.
De Skimfilter filtert niet, maar laat het water in het zwembad stromen.	Controleren of de deksel er goed op zit.
De Skimfilter beweegt het water niet.	De stroomaansluiting controleren.
De Skimfilter laat vuil water weer in het zwembad stromen.	Controleren of de patroon in goede staat verkeert en correct is geplaatst.

Indien het probleem niet verholpen wordt, neem contact op met de fabrikant van het zwembad op het telefoonnummer dat in uw gebruiksaanwijzing wordt vermeld.

9. INFORMATIE VOOR HET MILIEU

Correct verwerken van elektrische en elektronische apparatuur na de gebruikperiode (Alleen van toepassing voor de E.U.)



Teneinde het afval afkomstig van elektrische en elektronische apparaten en de schadelijke effecten van de diverse onderdelen te verminderen, het hergebruik van apparaten en de evaluatie van de effecten van het afval te bevorderen, en een gepast beheer en de bescherming van het milieu te bevorderen, zijn een aantal regels vastgesteld aangaande de fabricage van dit product alsmede de correcte milieubewuste verwerking van het apparaat wanneer het eenmaal wordt afgevoerd.

Bovendien is het de bedoeling de milieubewuste verwerking door alle agenten die bij de gebruikscyclus van de elektrische en elektronische apparaten betrokken zijn te verbeteren, zoals bijvoorbeeld leveranciers, distributeurs, gebruikers, en in het bijzonder de agenten die direct betrokken zijn bij de verwerking van het afval afkomstig van deze apparaten.

Met ingang van 13 augustus 2005 kunt u uit twee mogelijkheden kiezen wanneer u dit apparaat wilt weggooien:

- wanneer u een nieuw exemplaar aanschaft van een vergelijkbaar type of dat dezelfde functies verricht als het weg te gooien exemplaar, kunt u het oude exemplaar zonder kosten bij de distributeur inleveren bij de aankoop van het nieuwe
- of u kunt het naar de afvalverwerking brengen volgens de voorschriften van de lokale overheid.

Wij zullen de kosten van deze handelingen op ons nemen.

De apparaten zijn voorzien van een etiket met het symbool van "een doorgestreepte afvalcontainer met wielen"; dit symbool geeft aan dat het apparaat niet met het gewone afval gemengd en apart verwerkt moet worden.

Onze producten zijn ontworpen en gefabriceerd op basis van materialen en onderdelen van hoge kwaliteit die het milieu ontzien en die hergebruikt en gerecycled kunnen worden. Desondanks zijn de diverse onderdelen van dit product niet biologisch afbreekbaar, zodat deze niet in het milieu achtergelaten mogen worden. Om dit product korrekt te recycleren, relieve de elektrische motor van de Filterset los maken

GARANTIECERTIFIKAAT

1. ALGEMENE ASPEKTEN

- 1.1. In overeenkomst met de voorliggende bepalingen wordt door de verkoper gegarandeerd dat het product **GRE** verkocht onder deze garantie ("het Produkt") geen enkel defect vertoont op het moment van levering.
- 1.2. De Garantieperiode voor het Produkt bedraagt twee (2) jaar en is geldig vanaf het moment dat het Produkt aan de koper geleverd wordt.
- 1.3. Indien er zich een defect aan het Produkt zou voordoen en de koper dit zou mededelen aan de verkoper gedurende de geldige Garantieperiode, dan zal de verkoper het Produkt repareren of laten repareren op zijn eigen kosten alwaar de verkoper dit geschikt zou achten, behalve in het geval dat dit onmogelijk of buitensporig zou zijn.
- 1.4. Indien het Produkt niet gerepareerd of vervangen kan worden, dan kan de koper na verhouding prijsreductie aanvragen, of, indien het defect belangrijk genoeg is, de ontbinding van het verkoopcontract aanvragen.
- 1.5. Die delen van het Produkt die onder deze Garantie vervangen of gerepareerd zijn, kunnen de duur van de Garantieperiode voor het oorspronkelijke Produkt niet verlengen, maar zullen beschikken over een eigen garantie.
- 1.6. Voor de toepassing van deze garantie moet de koper de aankoopdatum en de levering van het Produkt kunnen aantonen.
- 1.7. Indien er meer dan zes maanden verlopen zijn sinds de levering van het Produkt aan de koper, en deze plotseling aangeeft dat het Produkt niet aan de eisen voldoet, dan zal de koper de oorsprong en het bestaan van de volgens hem bestaande defecten moeten kunnen aantonen.
- 1.8. Dit Garantiecertificaat beperkt of veroordeelt niet bij voorbaat de rechten die de gebruikers hebben en die gebaseerd zijn op nationale normen.

2. BIJZONDERE VOORWAARDEN

- 2.1. Deze garantie dekt de producten waarnaar deze handleiding verwijst.
- 2.2. Het huidige Garantiecertificaat is slechts van toepassing in landen van de Europese Unie.
- 2.3. Voor de toepassing van deze garantie en in geval deze garantie van toepassing is al naar gelang de serie en het model van het Produkt, moet de koper de aanwijzingen van de Fabrikant in de documenten die bij het Produkt bijgesloten zijn, strikt opvolgen.
- 2.4. Indien er een tijdsperiode vastgesteld wordt voor de vervanging, het onderhoud of het reinigen van verschillende delen of onderdelen van het Produkt, dan is de garantie alleen geldig in geval deze tijdsperiode strikt aangehouden is.

3. BEPERKINGEN

- 3.1. De huidige garantie is uitsluitend geldig bij verkoop aan gebruikers, waarbij onder "gebruiker" verstaan wordt een persoon die het Produkt aanschaft met een doel dat niet binnen het gebied van zijn professionele activiteiten valt.
- 3.2. Er bestaat geen garantie in verband met normale slijtage bij gebruik van het Produkt. Wat betreft de delen, componenten en/of vervangbare of verbruiksmaterialen zoals batterijen, gloeilampen, enz. zal men zich moeten richten naar hetgeen in de documenten staat die het Produkt vergezellen.
- 3.3. De garantie dekt niet de gevallen waarbij het Produkt (i) onderhevig is geweest aan ongepast gebruik, (ii) gerepareerd, onderhouden of gemanipuleerd is door een persoon die daarvoor geen toestemming heeft, of (iii) gerepareerd of onderhouden is met niet oorspronkelijke onderdelen.
- 3.4. Indien het defect van het Produkt het gevolg is van een incorrecte installering of ingebruikneming, dan is deze garantie slechts van toepassing indien de installering of ingebruikneming in kwestie in het contract van koop en verkoop van het produkt opgenomen is en door de verkoper of onder diens verantwoordelijkheid uitgevoerd is.

Fig.



Fig. A



Fig. B



Fig. C

IMPORTANTE: O manual de instruções que você tem nas mãos contém informação fundamental sobre as medidas de segurança a tomar ao realizar a instalação e a colocação em funcionamento. Por isso, é imprescindível que tanto o instalador como o utilizador leiam as instruções antes de realizar a montagem e a colocação em funcionamento. Guarde este manual para futuras consultas sobre o funcionamento deste aparelho.

Para conseguir um óptimo rendimento do Skim-filter, é conveniente observar as instruções que se indicam abaixo:

INDICAÇÕES DE SEGURANÇA, LEIA COM ATENÇÃO

- No que se refere à instalação eléctrica **dever-se-á seguir a norma:**
NF C15-100

relativa “à construção de instalações eléctricas, tanto em piscinas cobertas como em piscinas ao ar livre”, ou a norma análoga vigente em cada região ou país.

- “Todas as filtrações seguem a norma de instalação C 15-100 que especifica que qualquer aparelho eléctrico situado a menos de 3,5 m da piscina e com livre acesso deve estar alimentado com muito baixa tensão 12 V. Todo aparelho alimentado com 220 V deve estar situado a, no mínimo, 3,5 m do bordo da piscina. Para qualquer modificação de um ou de vários elementos do sistema de filtração, deve-se pedir a autorização do fabricante”.
- A instalação eléctrica deve ser realizada por profissionais qualificados em instalações eléctricas.
- Não deixe o aparelho ligado quando estiver a utilizar a piscina.
- Não faça o aparelho funcionar sem água.
- Não toque **NUNCA** no aparelho em funcionamento com o corpo ou com as mãos húmidas.
- Quando tiver de manipular o aparelho, **DESLIGUE-O** da tomada.
- **Assegure-se de que o chão esteja seco, antes de tocar no equipamento eléctrico.**
- Não coloque o aparelho onde ele possa se molhar, pois há o risco de electrocussão.
- Não permita que crianças ou adultos se apoiem ou sentem no aparelho.
- Não utilize o aparelho durante mais de 4 horas seguidas.
- Se o cabo flexível de alimentação deste aparelho estiver danificado, deverá ser substituído. Leia com atenção as instruções para a substituição do cabo. Em caso de dúvida, consulte o Serviço Técnico.

1. VERIFIQUE O CONTEÚDO DA EMBALAGEM:

No interior da caixa encontrará os seguintes acessórios. (Fig.1): AR-121, AR-121E, AR-124, AR-124E

1. Conjunto corpo do Skim-filter
- 2a. Conjunto suporte piscina chapa ou tubular
- 2b. Conjunto suporte piscina autoportante
- 3a. Conjunto colar suporte piscina chapa ou tubular
- 3b. Conjunto colar suporte piscina autoportante
4. Conjunto motor e transformador.
5. Tampa aspiração
6. Espaçador (modelo AR-121)

2. CARACTERÍSTICAS GERAIS:

Este Skim-filter foi concebido para ser utilizado em piscinas de água doce. Trata-se de um aparelho eléctrico da classe I, que cumpre o grau de protecção IPX8 (resistência à penetração de pó, aos corpos sólidos e à humidade).

LIGAÇÃO DO APARELHO

Ligue o transformador a uma fonte de corrente alterna de 230V 50 Hz que disponha de um interruptor onipolar, para deixar o aparelho sem tensão quando não estiver a ser utilizado e um diferencial de 30 mA para protecção de descargas.

O fabricante não se responsabiliza em nenhum caso pela montagem, instalação ou colocação em funcionamento, por qualquer manipulação ou incorporação de componentes eléctricos que não tenham sido realizadas nas suas instalações.

3. INSTALAÇÃO:

Pela facilidade de instalação, este equipamento pode ser montado por UMA PESSOA ADULTA em um período de tempo de cerca de ½ HORA, com a devida precaução de seguir em todo momento as instruções descritas neste manual.

Coloque o Skim-filter a favor dos ventos dominantes, para que eles ajudem a arrastar para o filtro a sujidade presente na superfície da piscina.

O transformador deve situar-se, no mínimo, a 3,5 m da borda da piscina. (Fig. 2).

COLOCAÇÃO DO SUPORTE PARA PISCINA DE CHAPA OU TUBULAR

Introduzir o braço suporte no alojamento do colar suporte do skim-filter (Fig. 3).

Passar o cabo de alimentação pelos alojamentos situados no interior do braço suporte do Skim-filter, assegurando-se de que fique bem preso.

Colocar o conjunto do Skim-filter e o conjunto suporte de plástico na borda da piscina (Fig. 4).

Colocar as duas porcas nos alojamentos da pinça fecho suporte.

Introduzir os dois parafusos passando-os pelo interior da piscina e aparafusá-los bem.

Equilibrar o aparelho para que fique situado verticalmente.

Atenção: pode-se aumentar a distância da pinça de fecho com os dois espaçadores fornecidos dentro de um saco (nº 6) com dois parafusos. Estes parafusos são mais compridos que os que são fornecidos já montados, para poder aparafusar a pinça de fecho com os espaçadores.

COLOCAÇÃO DO SUPORTE PARA PISCINA AUTOPORTANTE.

Introduzir a vareta para piscinas autoportantes no alojamento do colar suporte do skim-filter (Fig. 3).

Fixar a vareta com os dois conjuntos de fixação da vareta.

Colocar o conjunto Skim-filter e a vareta suporte na borda da piscina (Fig. 4).

Equilibrar o aparelho para que fique situado verticalmente.

4. MONTAGEM:

NIVELAMENTO E FIXAÇÃO DO SKIM-FILTER

Para o bom funcionamento do aparelho, é imprescindível um correcto nivelamento do mesmo.

Para isso, gire a alavanca do conjunto colar e fecho até à posição de abertura (Fig. 9) e deslize o Skim-filter até que o flutuador (nº 3) fique suspenso na água, aproximadamente, na metade do seu percurso (Fig. 6).

Uma vez posicionado, fixe-o girando a alavanca do conjunto colar e fecho até à posição de fecho (Fig. 9).

PISCINA AUTOPORTANTE

Desloque os dois conjuntos de fixação da vareta até ao colar e aperte-os bem.

Incline o Skim-filter ligeiramente e fixe o cabo na parte posterior do colar.

FILTRAÇÃO

O Skim-filter foi concebido para aspirar e reter as impurezas que se encontram boiando na água da piscina. Depois de um tratamento inicial de filtração (até que a água da piscina esteja limpa), deve-se-á recircular novamente todo o volume da piscina uma vez por dia.

O elemento que realiza a limpeza da água é o cartucho filtrante (nº AR-86) situado no interior do Skim-filter. O cartucho compõe-se de uma tela com uma passagem muito fina que retém a sujidade.

Dependendo da sujidade, das horas de filtração e do volume da piscina, o cartucho filtrante (nº AR-86) necessitará ser limpo com maior ou menor frequência. Quando observar que a quantidade de água devolvida ao interior da piscina diminui, deverá proceder à limpeza do cartucho filtrante.

A necessidade de filtração é determinada pelo volume em m³ de água da piscina em relação aos m³/h do caudal do aparelho, conforme modelo AR-121 ou AR-124.

Deixe o motor descansar no mínimo 2 horas entre cada período de funcionamento.

$$\frac{\text{Volume piscina em m}^3}{\text{Caudal filtro em m}^3/\text{h}} = \text{horas necessárias}$$

No tratamento inicial de filtração, devem ser respeitados os períodos de descanso indicados. É recomendável aumentar o tempo de filtração quanto mais elevada for a temperatura da água da piscina.

O PRODUTO QUÍMICO NÃO DEVE SER COLOCADO NUNCA NA CESTA OU ATRAVÉS DAS ESPONJAS OU DO CARTUCHO, JÁ QUE ISSO DETERIORARIA OS MATERIAIS DO APARELHO E LIMITARIA A SUA EFICÁCIA.

NÃO UTILIZAR FLOCULANTE!

5. MANUTENÇÃO:

LIMPEZA DO CARTUCHO FILTRANTE

Desligue o aparelho da tomada e tire-o da piscina.

Puxe o flutuador (nº 3) com força, para extrai-lo do conjunto corpo-base e depois puxe também o cartucho filtrante (AR-86) com força. Coloque o cartucho debaixo de um jacto de água de mangueira de jardim a baixa pressão, até comprovar que o filtro está limpo (Fig. 5).

Antes de introduzir o cartucho filtrante (AR-86) no conjunto corpo-base, limpe com a mangueira o interior do seu alojamento (Fig. 7). Depois de limpo, introduza o cartucho filtrante até ao máximo exercendo pressão (Fig. 8). Uma vez montado, poderá introduzi-lo novamente na piscina.

Após vários ciclos de lavagem, poderá ser necessário trocar o cartucho filtrante. Para isso, contacte com o fabricante da piscina no telefone e horário indicados nas instruções da piscina.

6. LIMPEZA DO FUNDO DA PISCINA

Para a limpeza do fundo da piscina, pode utilizar o equipamento com o acessório de limpeza AR-2062.

Consulte o seu comércio habitual ou o Serviço Pós-venda do fabricante da piscina para adquiri-lo.

Utilize sempre reposições originais.

Uma mangueira maior que a necessária para chegar a todos os pontos da piscina reduz a eficácia. Recorte o pedaço da mangueira que sobrar.

LIGAÇÃO DO ACESSÓRIO DE LIMPEZA AO EQUIPAMENTO:

Retire a bóia do skimfilter, coloque o acessório tampa aspiração (nº 4) na parte superior do skimfilter com a tomada voltada para cima e afunde o skimmer dentro da piscina procurando que não entre ar pela tampa aspiração.

Seguidamente, escoreve a mangueira da seguinte forma: Introduza o acessório de limpeza devagar na piscina com a vara e a mangueira ligada, verticalmente, deixando que se encha de água, mantendo o resto da mangueira fora da água. Continue a introduzir a mangueira pouco a pouco na água até que ela fique completamente cheia de água. Se a mangueira não estiver totalmente cheia de água, o acessório de limpeza do fundo da piscina não poderá aspirar com o consequente risco de danificar o equipamento fazendo com que trabalhe no vazio. Procurando que não entre ar na mangueira, ligue-a à tomada da tampa de aspiração. A união entre a mangueira e a tampa deve ficar sempre submergida para evitar a entrada de ar. Ligue o equipamento e proceda à limpeza do fundo da piscina.

7. COMPONENTES ELÉCTRICOS

Para garantir a segurança eléctrica, o equipamento possui um conjunto eléctrico protegido contra a entrada de água. Em caso de deterioração do cabo ou de um dos seus componentes, deverá substituir todo o conjunto eléctrico. Os componentes do conjunto eléctrico não devem ser manipulados em nenhuma hipótese, já que isso anularia a segurança do equipamento.

SUBSTITUIÇÃO DO CONJUNTO ELÉCTRICO

Em caso de deterioração do cabo ou de um dos componentes do conjunto eléctrico, proceda da seguinte forma:

- Desligue o aparelho da tomada de corrente.
- Desmonte o aparelho da piscina e retire-o.
- **Na parte inferior do aparelho, desligue o motor do conjunto-corpo e retire-o.**

Skim-filter AR121-AR121E

Para substituir o conjunto eléctrico, deverá ter em conta que o parafuso situado ao lado do motor, como se indica na Fig. A, não deve ser apertado nunca mais do que está. Esse parafuso é um parafuso de segurança e a sua função é evitar que uma criança possa retirar o motor.

Para retirar o motor, rode o skim-filter para poder trabalhar com mais comodidade. Primeiro, deverá desapertar o parafuso completamente (Fig. B) e, depois, retirar o motor rodando-o um quarto de volta para a direita e levantando a pestana (Fig. C) para poder retirar o motor da forma correcta.

Para montar o motor novamente no skim-filter, introduza primeiro o motor rodando-o para a esquerda e, depois, aperte o parafuso até à mesma profundidade que estava anteriormente.

Coloque o novo motor e fixe-o ao conjunto-corpo.

Skim-filter AR124-AR124E

Desaparafuse os 3 parafusos que sustentam o motor e retire o conjunto eléctrico/motor.

Coloque o novo conjunto eléctrico/motor aparafusando os 3 parafusos ao corpo do skimmer e volte a colocar a tampa inferior aparafusando-a com os 3 parafusos correspondentes.

- Monte novamente o equipamento na piscina, seguindo as instruções do ponto INSTALAÇÃO deste manual.

8. PERÍODO DE INVERNO - MANUTENÇÃO FORA DE USO

Para garantir uma boa conservação do equipamento, deverá guardá-lo durante o período de Inverno ou no caso de longos períodos fora de uso. Para isso, deverá desmontá-lo da piscina e proceder à limpeza do filtro e posterior secagem de todos os seus componentes com um pano suave ou papel absorvente para que não se risquem. É aconselhável guardá-lo na embalagem original e em lugar seco. É recomendável aproveitar esta ocasião para verificar visualmente o estado do cabo e dos demais componentes eléctricos, substituindo-os, em caso necessário, da forma descrita no ponto COMPONENTES ELÉCTRICOS.

Após o período de Inverno, instale o equipamento como se fosse um equipamento novo.

PROBLEMAS	SOLUÇÕES
O Skim-filter impulsiona pouca água.	O cartucho está sujo. Limpe-o.
O Skim-filter não filtra, mas introduz água na piscina.	Verifique se a tampa do cartucho foi colocada correctamente.
O Skim-filter não move a água.	Verifique a ligação e que chegue corrente à tomada.
O Skim-filter devolve água suja à piscina.	Verifique o bom estado do cartucho e a sua correcta colocação.

Se não conseguir solucionar o problema, entre em contacto com o fabricante da piscina no telefone indicado nas instruções.

9. INFORMAÇÃO AMBIENTAL Tratamento dos equipamentos eléctricos e electrónicos em fim de vida útil (Só aplicável na UE)



Com o objectivo de reduzir a quantidade de resíduos dos equipamentos eléctricos e electrónicos, a perigosidade dos componentes, fomentar a reutilização dos equipamentos, a valorização dos seus resíduos e determinar uma gestão adequada tratando de melhorar a eficácia da protecção ambiental, estabelece-se uma série de normas aplicáveis ao fabrico do produto e outras relativas à correcta gestão ambiental quando se transformam em resíduos.

Do mesmo modo, pretende-se melhorar o comportamento ambiental de todos os agentes que intervêm no ciclo de vida dos equipamentos eléctricos e electrónicos, como são os produtores, os distribuidores, os utilizadores e, em particular, o dos agentes directamente implicados na gestão dos resíduos derivados destes equipamentos.

A partir do dia 13 Agosto de 2005, quando quiser desfazer-se deste aparelho, tem duas possibilidades de devolução:

- se adquirir um novo aparelho que seja de tipo equivalente ou que realize as mesmas funções que o que está a deitar fora, poderá entregá-lo ao distribuidor, sem custo, no acto da compra;
- poderá levá-lo ao local destinado pelas diferentes entidades locais.

Nós assumiremos os custos de gestão.

Os equipamentos são rotulados com o símbolo de um “contentor de lixo com rodas barrado com uma cruz”, que indica a necessidade de recolha selectiva e diferenciada do resto dos lixos urbanos.

Os nossos produtos são concebidos e fabricados com materiais e componentes de alta qualidade, respeitadores do ambiente, que podem ser reutilizados e reciclados. No entanto, as diferentes partes que compõem este produto não são biodegradáveis e, portanto, não devem ser abandonadas no meio ambiente. Para a reciclagem correta deste equipamento, por favor separe o motor eléctrico do resto do aparelho de filtração.

CERTIFICADO DE GARANTIA

1. CONDIÇÕES GERAIS

- 1.1. De acordo com estas disposições, o vendedor garante que, no momento da entrega, o produto **GRE** correspondente a esta garantia (“o Produto”) não apresenta nenhum tipo de falta de conformidade.
- 1.2. O Período de Garantia para o Produto é de dois (2) anos, contados a partir da data de entrega ao comprador.
- 1.3. Se, durante o período de garantia, o comprador notificar ao vendedor alguma falta de conformidade do Produto, o vendedor deverá reparar ou substituir o Produto por sua conta no lugar onde considerar conveniente, salvo que isso seja impossível ou desmesurado.
- 1.4. Quando não for possível reparar ou substituir o Produto, o comprador poderá solicitar uma redução proporcional do preço ou, se a falta de conformidade for o suficientemente grave, a rescisão do contrato de venda.
- 1.5. As partes substituídas ou reparadas em virtude desta garantia não ampliarão o período de garantia do Produto original, mas disporão da sua própria garantia.
- 1.6. Para que a presente garantia tenha efeito, o comprador deverá apresentar o comprovante da data de compra e de entrega do Produto.
- 1.7. Se o comprador alegar uma falta de conformidade do Produto, passados mais de seis meses da data de entrega do mesmo, deverá demonstrar a origem e a existência do defeito alegado.
- 1.8. O presente Certificado de Garantia não limita nem afecta os direitos dos consumidores derivados das normas nacionais de carácter imperativo.

2. CONDIÇÕES PARTICULARES

- 2.1. A presente garantia cobre os produtos descritos neste manual.
- 2.2. O presente Certificado de Garantia só será válido nos países da União Europeia.
- 2.3. Para a eficácia desta garantia, o comprador deverá seguir rigorosamente as indicações do Fabricante contidas na documentação fornecida com o Produto, quando a mesma for aplicável em função da gama e do modelo do Produto.
- 2.4. No caso de se estabelecer um calendário para a substituição, manutenção ou limpeza de determinadas peças ou componentes do Produto, a garantia só será válida se o citado calendário tiver sido cumprido rigorosamente.

3. LIMITAÇÕES

- 3.1. A presente garantia só será válida para as vendas realizadas a consumidores, entendendo-se por “consumidor” a pessoa que comprar o Produto com fins não abrangidos no âmbito da sua actividade profissional.
- 3.2. A garantia não cobre o desgaste normal derivado do uso do produto. Em relação às peças, componentes e/ou materiais fungíveis ou consumíveis como pilhas, lâmpadas, etc., terá efeito o disposto na documentação fornecida com o Produto, em cada caso.
- 3.3. Esta garantia não abrange as seguintes situações: (I) Se o Produto tiver sido objecto de um uso incorrecto; (II) tiver sido reparado, sofrido manutenção ou manipulado por pessoas não autorizadas ou (III) tiver sido reparado ou as suas peças substituídas por peças não originais.
- 3.4. Quando a falta de conformidade do Produto for consequência de uma instalação ou colocação em funcionamento incorrecta, a presente garantia só será válida se a referida instalação ou colocação em funcionamento estiver incluída no contrato de compra-venda do Produto e tiver sido realizada pelo vendedor ou sob sua responsabilidade.

Fig.



Fig. A



Fig. B

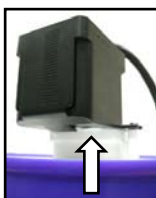
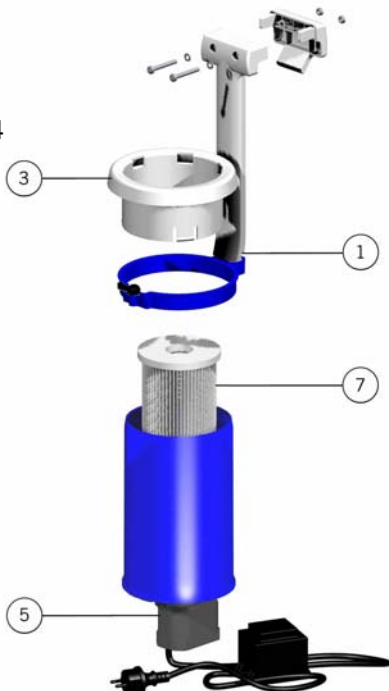
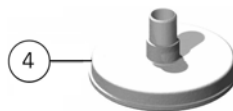
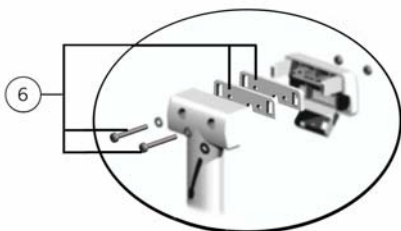
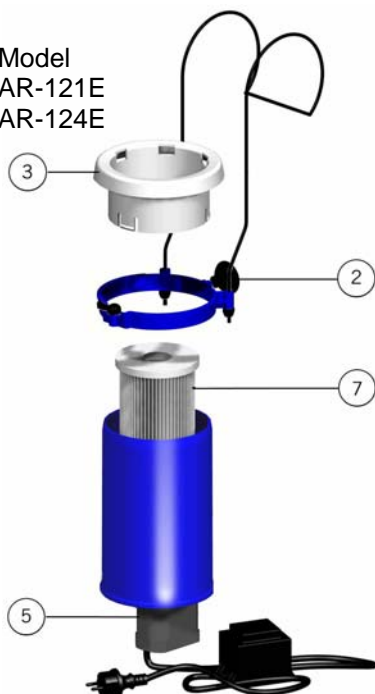


Fig. C

Model
AR-121
AR-124



Model
AR-121E
AR-124E



ENGLISH

ID.	CODE	DESCRIPTION	AR121	AR121E	AR124	AR124E	QUAN
1	20585R1200 FP10	Standard support unit	X		X		1
2	16573R1200 FP10	Self-supporting set		X		X	1
3	09037R0005	Float	X	X	X	X	1
4	09875R0001	Suction cover	X	X	X	X	1
5	27586R0100	Motor set	X	X			1
5	30889R0500	Motor set			X	X	1
6	20585R0100	Distance set	X				1
	19770E205	Installation and maintenance manual	X	X	X	X	1
ACCESSORIES							
7	AR-86	Filter cartridge	X	X			1
7	AR-82	Filter cartridge			X	X	1

ESPAÑOL

ID.	CÓDIGO	DESCRIPCIÓN	AR121	AR121E	AR124	AR124E	CANT
1	20585R1200 FP10	Conjunto soporte standard	X		X		1
2	16573R1200 FP10	Conjunto soporte autoportante		X		X	1
3	09037R0005	Flotador	X	X	X	X	1
4	09875R0001	Tapa aspiración	X	X	X	X	1
5	27586R0100	Conjunto motor	X	X			1
5	30889R0500	Conjunto motor			X	X	1
6	20585R0100	Conjunto distanciadores	X				1
	19770E205	Manual de instalación y mantenimiento	X	X	X	X	1
ACCESORIOS							
7	AR-86	Cartucho filtrante	X	X			1
7	AR-82	Cartucho filtrante			X	X	1

FRANÇAIS

ID.	CODE	DESCRIPTION	AR121	AR121E	AR124	AR124E	QUAN
1	20585R1200 FP10	Ensemble support standard	X		X		1
2	16573R1200 FP10	Ensemble support préfabriquée		X		X	1
3	09037R0005	Floteur	X	X	X	X	1
4	09875R0001	Couvercle aspiration	X	X	X	X	1
5	27586R0100	Ensemble motor	X	X			1
5	30889R0500	Ensemble motor			X	X	1
6	20585R0100	Ensemble de la distance	X				1
	19770E205	Manual d'installation et d'entretien	X	X	X	X	1
ACCESSOIRES							
7	AR-86	Cartouche filtrante	X	X			1
7	AR-82	Cartouche filtrante			X	X	1

DEUTSCH

ID.	ARTIKEL NR.	BESCHREIBUNG	AR121	AR121E	AR124	AR124E	MENG
1	20585R1200 FP10	Halterset Standard	X		X		1
2	16573R1200 FP10	Halterset autoportante		X		X	1
3	09037R0005	Schwimmer	X	X	X	X	1
4	09875R0001	Deckel Absaugung	X	X	X	X	1
5	27586R0100	Motor	X	X			1
5	30889R0500	Motor			X	X	1
6	20585R0100	Entfernungssatz	X				1
	19770E205	Einbau-und betriebsanleitung	X	X	X	X	1
ZUBEHÖRE							
7	AR-86	Filterkartusche	X	X			1
7	AR-82	Filterkartusche			X	X	1

ITALIANO

ID.	CODICE	DESCRIZIONE	AR-121	AR-121E	AR-124	AR-124E	QUAN
1	20585R1200 FP10	Gruppo supporto standard	X		X		1
2	16573R1200 FP10	Gruppo supporto autoportanti		X		X	1
3	09037R0005	Galleggiante	X	X	X	X	1
4	09875R0001	Coperchio aspirazione	X	X	X	X	1
5	27586R0100	Gruppo motore	X	X			1
5	30889R0500	Gruppo motore			X	X	1
6	20585R0100	Gruppo di distanza	X				1
	19770E205	Manuale di installazione e manutenzione	X	X	X	X	1
ACCESSORI							
7	AR-86	Cartuccia filtrante	X	X			1
7	AR-82	Cartuccia filtrante			X	X	1

NEDERLANDS

ID.	CODE	BESCHRIJVING	AR121	AR121E	AR124	AR124E	AANTAL
1	20585R1200 FP10	Set standard dragers	X		X		1
2	16573R1200 FP10	Set zwembad dragers		X		X	1
3	09037R0005	Drijver	X	X	X	X	1
4	09875R0001	Deksel zuiginstallatie	X	X	X	X	1
5	27586R0100	Motor	X	X			1
5	30889R0500	Motor			X	X	1
6	20585R0100	Verwijderingsset	X				1
	19770E205	Installatie-en onderhoudshandleidinge	X	X	X	X	1
ACCESSOIRES							
7	AR-86	Filterpatroon	X	X			1
7	AR-82	Filterpatroon			X	X	1

PORTUGUES

ID.	CODIGO	DESCRIÇÃO	AR121	AR121E	AR124	AR124E	QUAN
1	20585R1200 FP10	Conjunto suporte standard	X		X		1
2	16573R1200 FP10	Conjunto suporte autoportante		X		X	1
3	09037R0005	Flutuador	X	X	X	X	1
4	09875R0001	Tampa aspiração	X	X	X	X	1
5	27586R0100	Conjunto motor	X	X			1
5	30889R0500	Conjunto motor			X	X	1
6	20585R0100	Conjunto de distância	X				1
	19770E205	Instruções e manutenção	X	X	X	X	1
ACESSÓRIOS							
7	AR-86	Cartucho filtrante	X	X			1
7	AR-82	Cartucho filtrante			X	X	1

Sheet swimming pool /
Piscina chapa

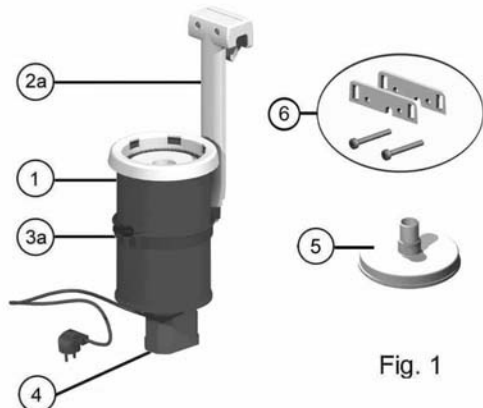
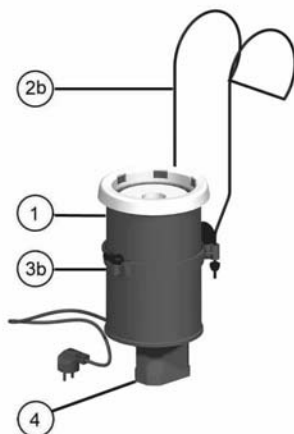


Fig. 1

Self supporting swimming pool /
Piscina autoportante



Sheet swimming pool /
Piscina chapa

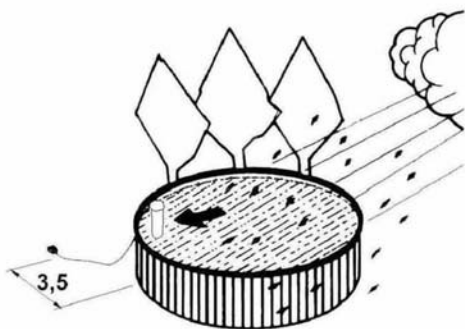


Fig.2

Self supporting swimming pool /
Piscina autoportante

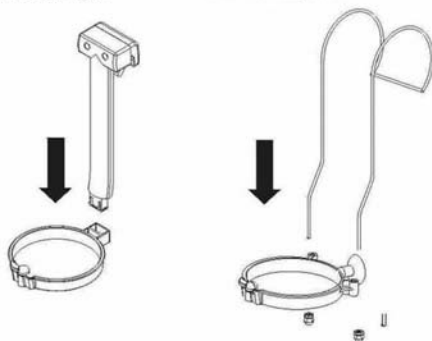


Fig.3

Self supporting swimming pool /
Piscina autoportante



Sheet swimming pool /
Piscina chapa

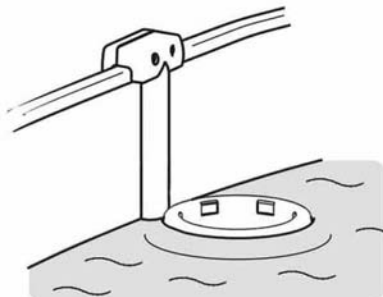
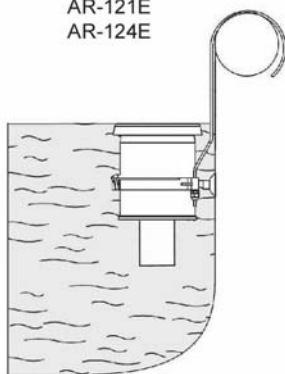


Fig.4

**Self supporting swimming pool /
Piscina autoportante**

AR-121E
AR-124E



**Sheet swimming pool /
Piscina chapa**

AR-121
AR-124

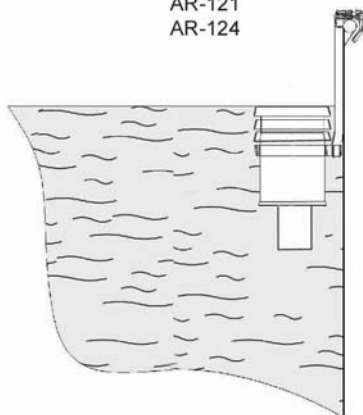


Fig.6



Fig.5



Fig. 7

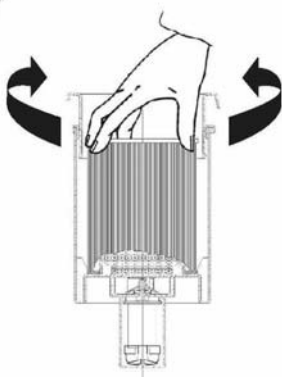


Fig. 8

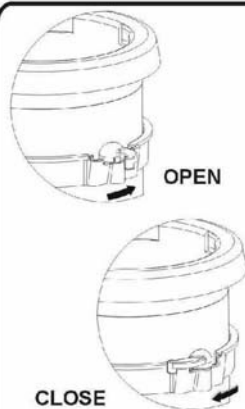


Fig.9

GB PRODUCTS:
 E PRODUCTOS:
 F PRODUITS:
 D PRODUKTE:
 I PRODOTTI:
 NL PRODUKTEN:
 P PRODUTOS:

SKIMFILTER AR-121
SKIMFILTER AR-121 E
SKIMFILTER AR-124
SKIMFILTER AR-124 E

DECLARATION OF CONFORMITY

The products listed above are in compliance with:
 Machinery Directive 89/392/EC.
 Electromagnetic Compatibility Directive 89/336/EC.
 Low Voltage Directive 73/23/EC.
 Directive 2002/96/EC on waste electrical and electronic equipment (WEEE).
 European Standard EN 60335-2-41 and all its modifications.

DECLARACION DE CONFORMIDAD

Los productos arriba enumerados se hallan conformes con:
 Directiva de seguridad de máquinas 89/392/CE
 Directiva de compatibilidad electromagnética 89/336/CEE.
 Directiva de equipos de baja tensión 73/23/CEE.
 Directiva sobre residuos de aparatos eléctricos y electrónicos (RAEE) 2002/96/CE.
 Normativa Europea EN 60335-2-41, en todas sus modificaciones.

DÉCLARATION DE CONFORMITÉ

Les produits énumérés ci-dessus sont conformes à:
 La Directive de sécurité des machines 89/392/CE.
 La Directive de compatibilité électromagnétique 89/336/CE.
 La Directive des appareils à basse tension 73/23/CE.
 Directive aux déchets d'équipements électriques et électroniques (DEEE) 2002/96/CE.
 La Réglementation Européenne EN 60335-2-41, dans toutes ses modifications.

KONFORMITÄTSEKTLÄRUNG

Die oben aufgeführten Produkte sind konform mit:
 Sicherheitsrichtlinie für Maschinen 89/392/CE.
 Richtlinie zur elektromagnetischen Kompatibilität 89/336/CEE.
 Richtlinie für Niederspannungsanlagen 73/23/CEE.
 Richtlinie über Elektro- und Elektronik-Altgeräte 2002/96/CE.
 Europäische Norm EN 60335-2-41 mit allen Änderungen

DICHIARAZIONE DI CONFORMITÀ

I prodotti di cui sopra adempiono alle seguenti direttive:
 Direttiva di sicurezza delle macchine 89/392/CE.
 Direttiva di compatibilità elettromagnetica 89/336/CE.
 Direttiva per gli apparecchi a bassa tensione 73/23/CE.
 Direttiva sui rifiuti di apparecchiature elettriche ed elettroniche (RAEE) 2002/96/CE.
 Normativa Europea EN 60335-2-41, in tutte le sue modifiche.

CONFORMITEITSVERKLARING

Bovenstaande producten voldoen aan de:
 Veiligheidsvoorschriften van de Richtlijn 89/392/EEG voor Machines.
 Richtlijn 89/336/EEG voor electromagnetische verenigheid.
 Richtlijn 73/23/EEG voor laagspanning
 Richtlijn betreffende afgedankte elektrische en elektronische apparatuur (AEEA) 2002/96/CE.
 Europese Standaard EN 60335-2-41, ook wat betreft alle wijzigingen ervan.

DECLARAÇÃO DE CONFORMIDADE

Os produtos relacionados acima estão conformes as:
 Directiva de segurança de máquinas 89/392/CE.
 Directiva de compatibilidade electromagnética 89/336/CE.
 Directiva de equipamentos de baixa tensão 73/23/CE.
 Directiva relativa aos resíduos de equipamentos eléctricos e electrónicos (REEE) 2002/96/CE.
 Norma Europeia EN 60335-2-41 e respectivas modificações.

SACOPA, S.A.U.

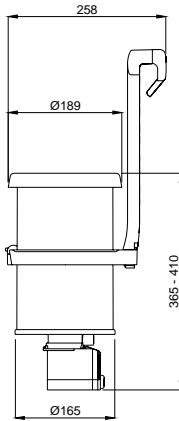
Pol Ind. Poliger Sud-Sector I, s/n
17854 SANT JAUME DE LLIERCA (SPAIN)
St. Jaume de Llierca, 1 November of 2006



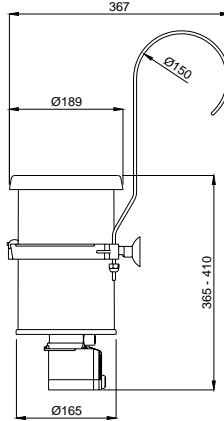
GERENT

- TECHNICAL CHARACTERISTICS
- CARACTERISTICAS TECNICAS
- CARACTERISTIQUES TECHNIQUES
- TECHNISCHE ANGABEN
- DATI TECNICI
- TECHNISCHE GEGEVENS
- CARACTERISTICAS TECNICAS

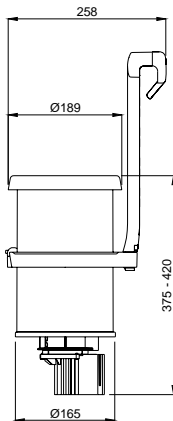
AR-121



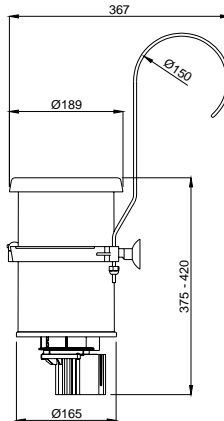
AR-121E



AR-124



AR-124E



- **TECHNICAL CHARACTERISTICS**
- **CARACTERISTICAS TECNICAS**
- **CARACTERISTIQUES TECHNIQUES**
- **TECHNISCHE ANGABEN**
- **DATI TECNICI**
- **TECHNISCHE GEGEVENS**
- **CARACTERISTICAS TECNICAS**

DESCRIPTION	MODEL	
	AR-121 / AR-121E	AR-124 / AR-124E
Filtering speed / Velocidad de Filtración / Vitesse de Filtration Filtergeschwindigkeit / Velocità di filtrazione / Filtreersnelheid Velocidade de Filtração	2,98 m³/m²/h	2,99 m³/m²/h
Flow rate / Débit / Caudal / Portada Durchflußmenge / Debeit / Caudal	2 m³/h	3,8 m³/h
Filtration area / Surfaces de filtration Superficie de filtración Superficie di filtrazione / Filterfläche Filtratie oppervlakte / Superficie de filtração	0,67 m²	1,27 m²
Motor / Moteur / Motor / Motore / Motor / Motor / Motor	72 W	70 W
Motor voltage / Voltage motor / Voltaje motor Voltaggio motore / Spannung Motor Spanning motor / Voltagem motor	12 V	12 V
Transformer / Transformateur / Transformador Transformatore / Transformator Transformator / Transformador	230 / 12 V	230 / 12 V
Protection / Protección / Protection / Schutz Protezione / Protectie / Protecção	CLASE I IPX8	CLASE I IPX8

MANUFACTURAS GRE, S.A.
 ARITZ BIDEA Nº 57, TROBIKA AUZOTEGIA
 48100 MUNGUIA (VIZCAYA) ESPAÑA
 Telf: 94 674 11 16 Fax: 94 674 17 08

19770E205-06

Fabricado en CE
 NIF ES A17092610

- We reserve to change all or part of the articles or contents of this document, without prior notice.
- Nos reservamos el derecho de cambiar total o parcialmente las características de nuestros artículos o contenido de este documento sin previo aviso.
- Nous nous reservons le droit de modifier totalement ou en partie les caractéristiques de nos articles ou le contenu de ce document sans pré avis.
- Wir behalten uns das recht vor die eigenschaften unserer produkte oder den inhalt dieses prospektes teilweise oder vollstading, ohne vorherige benachichtigung zu andern.
- Ci riservamo il dritto di cambiare totalmente o parzialmente le caratteristiche tecniche dei nostri prodotti ed il contenuto di questo documento senza nessun preavviso
- Wij behouden ons het recht voor geheel of gedeeltelijk de kenmerken van onze artikelen of de inhoud van deze handleiding zonder voorafgaand bericht te wijzigen.
- Reservamo-nos no direito de alterar, total ou parcialmente as características dos nossos artigos ou o conteúdo deste documento sem aviso prévio